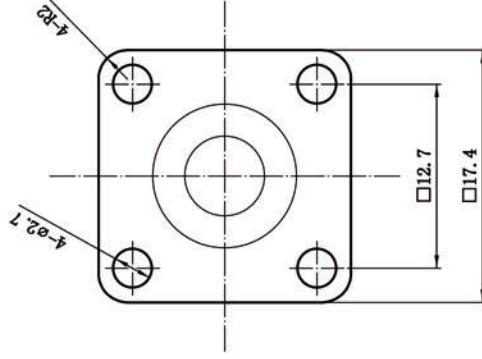
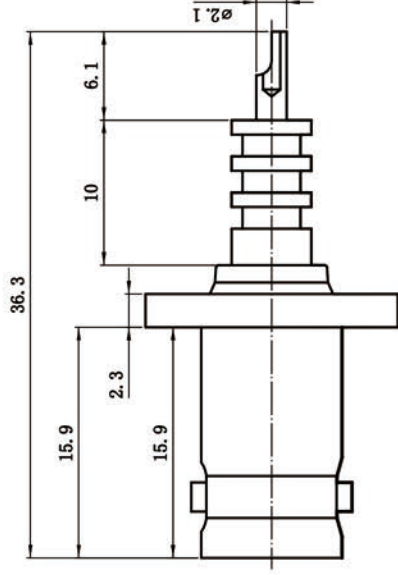


This document contains proprietary information and such information may not be disclosed to others for any purposes, not used for sales/marketing/procurement purposes without written permission

- 1 Electrical
- 1.1 Impedence 50Ω
- 1.2 Frequency DC-300MHZ
- 1.3 Dielectric withstanding voltage 5KV rms,
- 1.4 Working voltage(at sea level) 1.6KV rms,
- 1.5 Insulation resistance $\geq 5000 \cdot 10^3 M \Omega$
- 1.3 Center contact resistance $\leq 2 M \Omega$
- 1.4 Outer contact resistance $\leq 1 M \Omega$
- 1.5 Corona extinction voltage $\geq 300V$ rms
(at 21000 m)
- 1.9 Current rating continuous $\leq 10A$

- 2 Environmental&Mechanical
- 2.1 Temperature range $-55^{\circ}C \sim 155^{\circ}C$
- 2.2 RoHs Compliant
- 2.3 Durability > 500 cycles

- 3 Materials&Finish
- 3.1 Body: Brass, Nickel plated
- 3.2 Insulator: Teflon
- 3.3 Contact Pin: Phosphor bronze, gold plated
- 3.4 Washer: Beryllium, nickel plated
- 3.5 Nut: copper, nickel plated



Notes:

1. ALL SPECIFICATIONS ARE SUBJECT TO CHANGE NOTICE AT ANY TIME
2. CUSTOMER OUTLINE DRAWING FOR REFERENCE ONLY

REV	DESCRIPTION OF REVISION	ECN NO.	BY	DATE	APPROVED
A	Initial Release		T. Shihua	12/7/13	12/7/13

DRAWN: T. Shihua 12/07/13		TITLE: RF Connector	
ENGINEER: C. Tao 12/07/13		www.rf-connector-china.com	
APPROVED: W. Qiang 12/07/13		MHV female Flange Conn. For Terminal	
TOLERANCES UNLESS OTHERWISE SPECIFIED		DIMENSION IN MILLIMETERS (mm)	
X	+0.05	SIZE: 1:1	SHEET: 1/1
X	+0.20	SCALE: 1:1	REV: A
XX	+0.40		
ANGLES $\pm 1^{\circ}$			