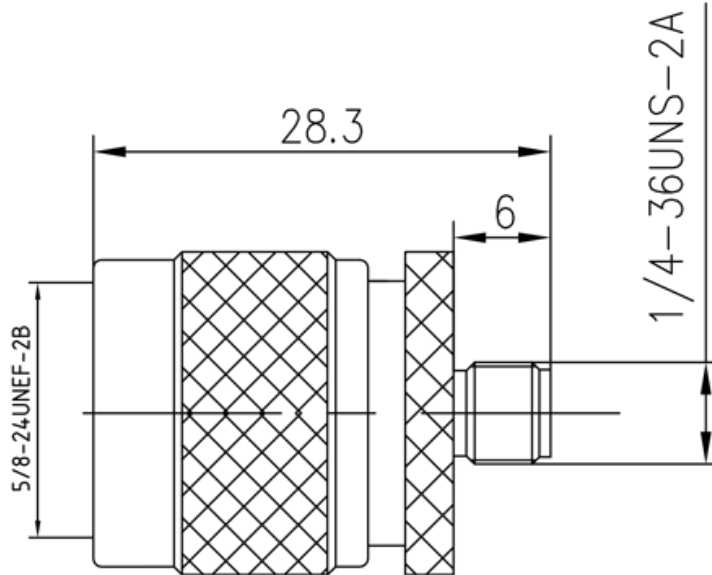


TRL120109F



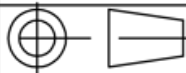
Notes:

1 Electrical

- 1.1 Impedance: 50Ω
- 1.2 Working voltage: ≤335V
- 1.3 Insulation resistance: ≥5000MΩ
- 1.4 Dielectric withstanding voltage: 1000V
- 1.5 VSWR 1.008@1GHz
- 1.032@2GHz
- 1.056@3GHz
- 1.6 Insertion loss ≤0.1dB@3GHz

2 Material&Finish

- 2.1 Inner Contact: phosphor bronze, gold plated
- 2.1 Outer Contact: Brass, nickel plated over
- 2.3 Insulators: PTFE
- 2.4 Gasket: Silicon rubber



Scale

1:1

Name

Date

Designed

Tomson Tang 9-Jan-12

Checked

Jason Cai 9-Jan-12

Approved

Teresa Shen 9-Jan-12

N/SMA-JK-1
RF Adapter

UNLESS OTHERWISE SPECIFIED
DIMENSIONS ARE mm, TOLERANCES ARE:
FRACTIONS DECIMALS ANGLES
.X± .15 ±1°
.XX± .05
.XXX±



www.rf-connector-china.com