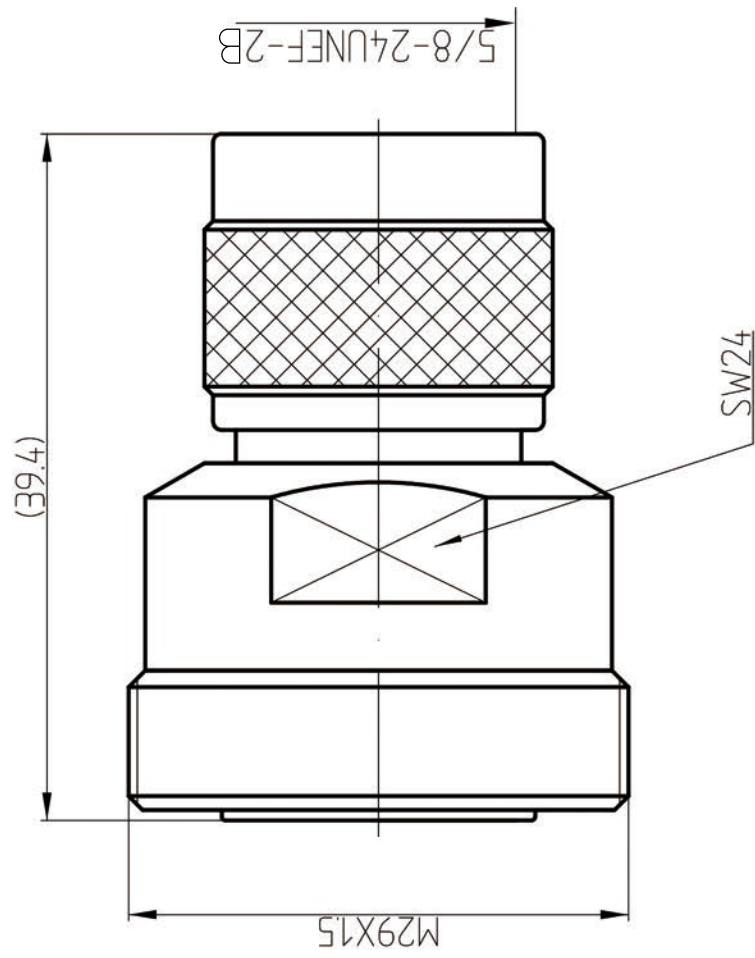


This document contains proprietary information and such information may not be disclosed to others for any purposes, not used for sales/marketing/procurement purposes without written permission

- 1 Technical Data:
  - 1.1 Impedence: 50 Ω
  - 1.2 Frequency: DC ~3GHz
  - 1.3 VSWR: <1.2
  - 1.4 Dielectric withstanding voltage: >1500V rms at sea level
  - 1.5 Insulation resistance: >10000MΩ
  - 1.6 Center contact resistance: ≤0.4 mΩ
  - 1.7 Outer contact resistance: ≤15mΩ
- 2 Environmental&Mechanical:
  - 2.1 Temperature range: -40℃~70℃
  - 2.2 RoHs Compliant
  - 2.3 Durability: >500 cycles
- 3 Materials&plating:
  - 3.1 Body: Brass, Nickel plated
  - 3.2 Insulator: Teflon
  - 3.3 Contact Pin: Bronze, gold plated
  - 3.4 Coupling Nut: Brass, Nickel plated



REV	DESCRIPTION OF REVISION	ECN NO.	BY	DATE	APPROVED
A	Initial Release		T. Shihua	16/5/14	16/5/14

DRAWN : T. Shihua 16/5/14 ENGINEER: C. Tao 16/5/14 APPROVED : W. Qiang 16/5/14 TOLERANCES UNLESS OTHERWISE SPECIFIED X +0.50 XX +0.20 ANGLES ±°	<b>TITLE:</b> RF Adaptor L29 (7/16.) Female to N Male Adapter	 <a href="http://www.rf-connector-china.com">www.rf-connector-china.com</a>
DIMENSION IN MILLIMETERS (mm) 	SCALE: N/A SHEET: 1/1 REF: A	SIZE: A4

**Notes:**  
 1. ALL SPECIFICATIONS ARE SUBJECT TO CHANGE NOTICE AT ANY TIME  
 2. CUSTOMER OUTLINE DRAWING FOR REFERENCE ONLY