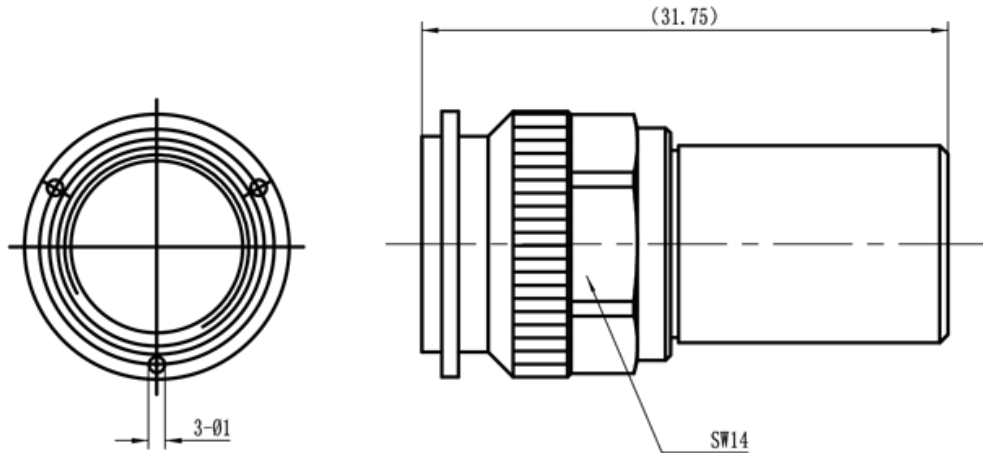


This document contains proprietary information and such information may not be disclosed to others for any purposes, not used for sales/marketing/procurement purposes without written permission

REV	DESCRIPTION OF REVISION	ECN NO.	BY	DATE	APPROVED
A	Initial Release	—	T.Haiyun	23/05/18	23/05/18



1 Electrical

1.1 Impedance	50 Ω
1.2 Frequency	DC~6GHz
1.3 Dielectric withstanding voltage	1500V(volts RMS)
1.4 Center contact resistance	≤ 1.5MΩ
1.5 Outer contact resistance	≤ 0.2MΩ
1.6 Insulation resistance:	≥5000MΩ
1.7 VSWR	1.30:1
1.8 Power	≤ 2W

Environmental&Mechanical



2.1 Temperature range	-40℃~+85℃
2.2 RoHs Compliant	
2.3 Durability	>500 cycles

3 Materials&plating

3.1 Body:	Brass, Nickel plated
3.2 Insulator:	Teflon
3.3 Contact Pin:	Bronze, gold plated

Notes:

- 1. ALL SPECIFICATIONS ARE SUBJECT TO CHANGE NOTICE AT ANY TIME
- 2. CUSTOMER OUTLINE DRAWING FOR REFERENCE ONLY

DRAWN: T.Haiyun 23/05/18 ENGINEER: C.Tao 23/05/18 APPROVED: W.Qiang 23/05/18	TITLE: RF TERMINATION TNC Male Conn. Termination	 www.rf-connector-china.com
TOLERANCES UNLESS OTHERWISE SPECIFIED X +0.50 X +0.20 XX +0.10 ANGLES ±1°	PART NO: TNC-50UR-2W-6	 DIMENSION IN MILLIMETERS (mm)
	SIZE: M	SCALE: N/A
	SHEET: 1/1	REV: A