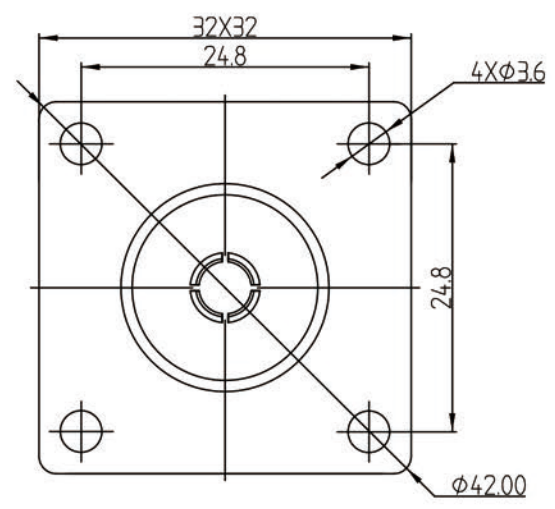
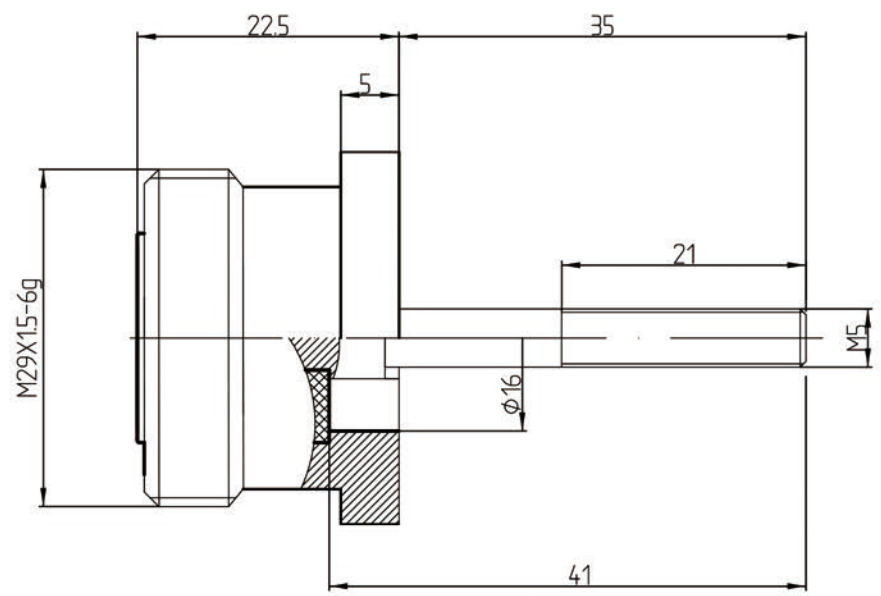


This document contains proprietary information and such information may not be disclosed to others for any purposes, not used for sales/marketing/procurement purposes without written permission

REV	DESCRIPTION OF REVISION	ECN NO.	BY	DATE	APPROVED
A	Initial Release	—	T. Shihua	27/10/15	27/10/15



1 Technical Data

- 1.1 Impedence 50 Ω
- 1.2 Frequency DC ~7.5GHz
- 1.3 VSWR <1.15@3GHz
- 1.4 Dielectric withstanding voltage >4000V rms
- 1.5 Insulation resistance: $\geq 10000M \Omega$
- 1.6 Center contact resistance: <0.4 m Ω
- 1.7 Outer contact resistance: <1.5m Ω

2 Environmental&Mechanical



- 2.1 Temperature range -45 $^{\circ}$ C ~85 $^{\circ}$ C
- 2.2 RoHS Compliant
- 2.3 Durability >500 cycles

3 Materials&plating

- 3.1 Body: Brass, Suco-plated
- 3.2 Insulator: Teflon
- 3.3 Contact Pin: Phosphor Bronze, Silver plated

Notes:

- 1. ALL SPECIFICATIONS ARE SUBJECT TO CHANGE NOTICE AT ANY TIME
- 2. CUSTOMER OUTLINE DRAWING FOR REFERENCE ONLY

DRAWN : T. Shihua 27/10/15 ENGINEER: C. Tao 27/10/15 APPROVED : W. Qiang 27/10/15	TITLE: RF Coaxial Connector Din Type Female Conn. Terminal	 www.rf-connector-china.com	
TOLERANCES UNLESS OTHERWISE SPECIFIED X ± 0.50 X ± 0.20 XX ± 0.10 ANGLES $\pm 1^{\circ}$	PART NO: L29-KFD7		DIMENSION IN MILLIMETERS (mm) 
SIZE: A4	SCALE: N/A	SHEET: 1/1	REV: A