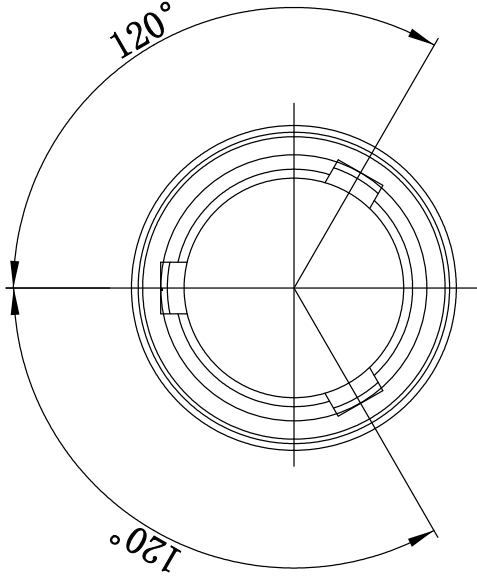
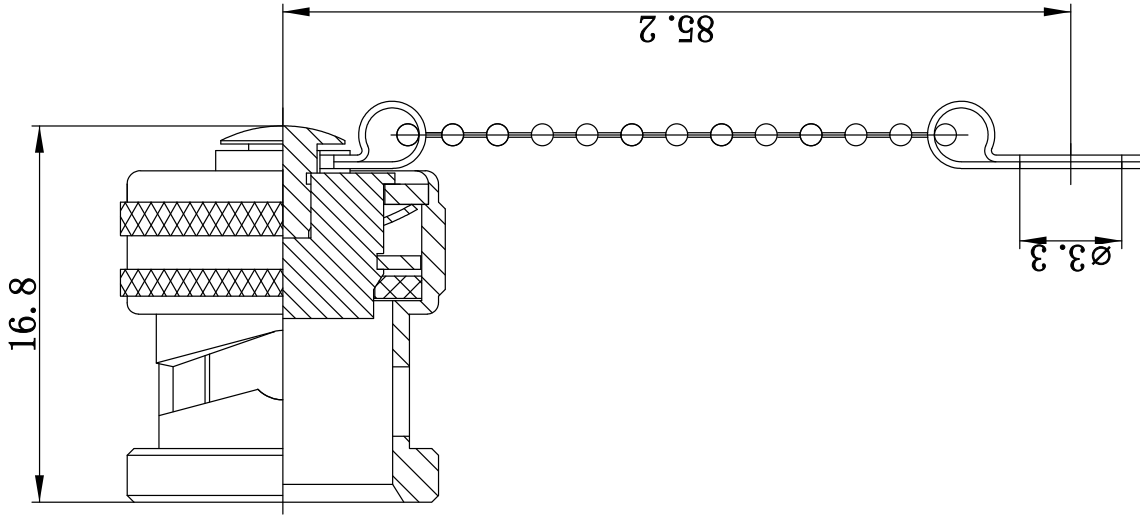


This document contains proprietary information and such information may not be disclosed to others for any purposes, not used for sales/marketing/procurement purposes without written permission

REV	DESCRIPTION OF REVISION	ECN NO.	BY	DATE	APPROVED
A	Initial Release		T. Shihua	19/08/17	19/08/17



Notes:

1. ALL SPECIFICATIONS ARE SUBJECT TO CHANGE NOTICE AT ANY TIME
2. CUSTOMER OUTLINE DRAWING FOR REFERENCE ONLY

DRAWN : T. Shihua 19/08/17

ENGINEER: C. Tao 19/08/17

APPROVED : W. Qiang 19/08/17

TOLERANCES UNLESS OTHERWISE SPECIFIED  
 X ±0.50  
 .X ±0.20  
 .XX ±0.10  
 ANGLES ±1°

TITLE:

Dust Cap

BNC TRB Series Tricoax Conn.

TRB-FCM



www.fconnector-dha.com



DIMENSION IN MILLIMETERS (mm)

SIZE: A4

SCALE: N/A

SHEET: 1/1

REV: A