

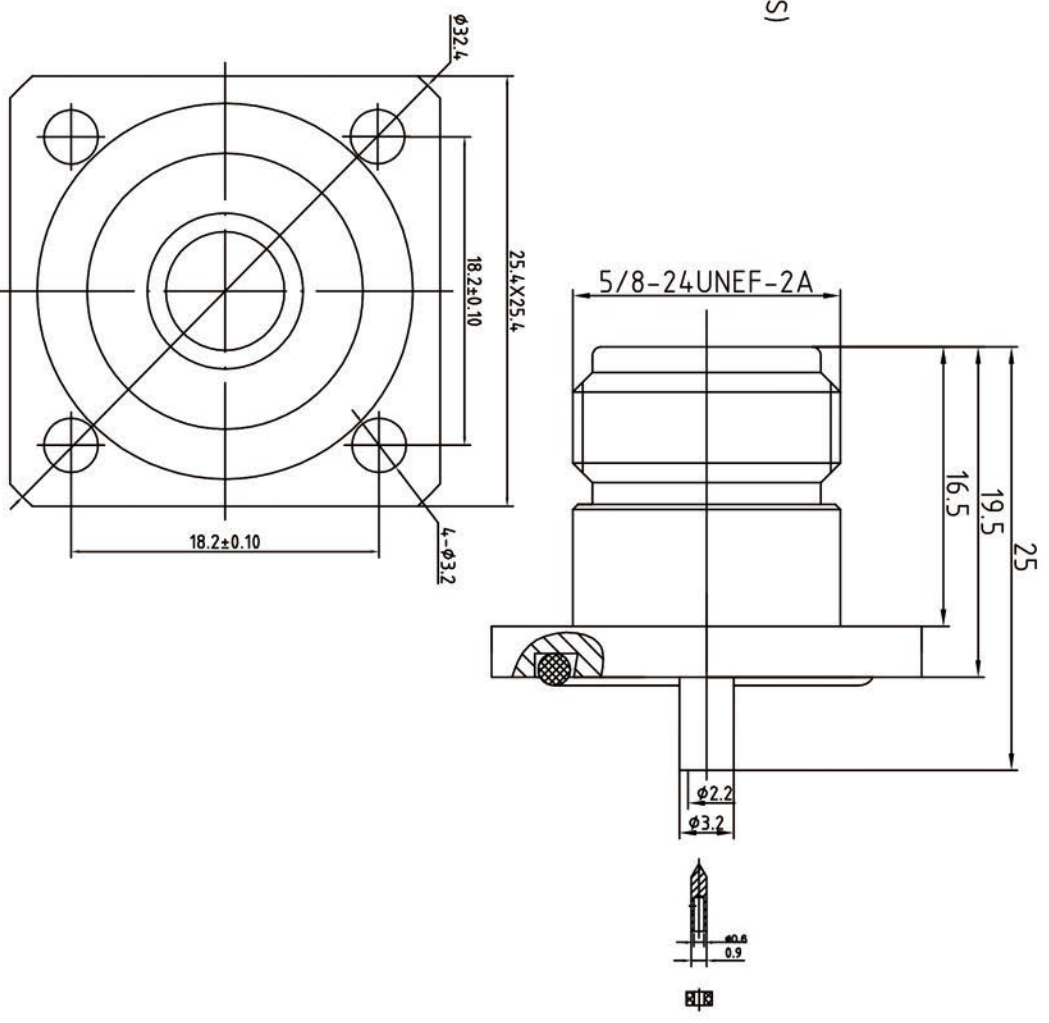
This document contains proprietary information and such information may not be disclosed to others for any purposes, not used for sales/marketing/procurement purposes without written permission


REV	DESCRIPTION OF REVISION	ECN NO.	BY	DATE	APPROVED
A	Initial Release		T.Shihua	07/04/16	07/04/16

- 1 Electrical
- 1.1 Impedance 50Ω
 - 1.2 Frequency DC~6GHz
 - 1.3 Dielectric withstanding voltage 1500V(volts RMS)
 - 1.4 Center contact resistance ≤ 1MΩ
 - 1.5 Outer contact resistance ≤ 0.2MΩ
 - 1.6 Insulation resistance: ≥5000MΩ
 - 1.7 VSWR 1.3:1

- 2 Environmental&Mechanical
- 2.1 Temperature range -55°C~155°C
 - 2.2 RoHS Compliant
 - 2.3 Durability >500 cycles

- 3 Materials&plating
- 3.1 Body: Brass, nickel plated
 - 3.2 Insulator: Teflon
 - 3.3 Contact Pin: Brass, Gold plated
 - 3.4 O-Ring: Silicon Rubber



DRAWN: T.Shihua 07/04/16	TITLE: N-KFB2F	 www.tr-conductor.com
ENGINEER: C.Too 07/04/16	N female Flange Conn. For .086 Cable	
APPROVED: W.Qiang 07/04/16	PART NO: TRL-NF-282868	SIZE: A4
TOLERANCES UNLESS OTHERWISE SPECIFIED		SCALE: N/A
X .450		SHEET: 1/1
XX .420		REV: A
ANGLES 30°		

Notes:
 1. ALL SPECIFICATIONS ARE SUBJECT TO CHANGE NOTICE AT ANY TIME
 2. CUSTOMER OUTLINE DRAWING FOR REFERENCE ONLY