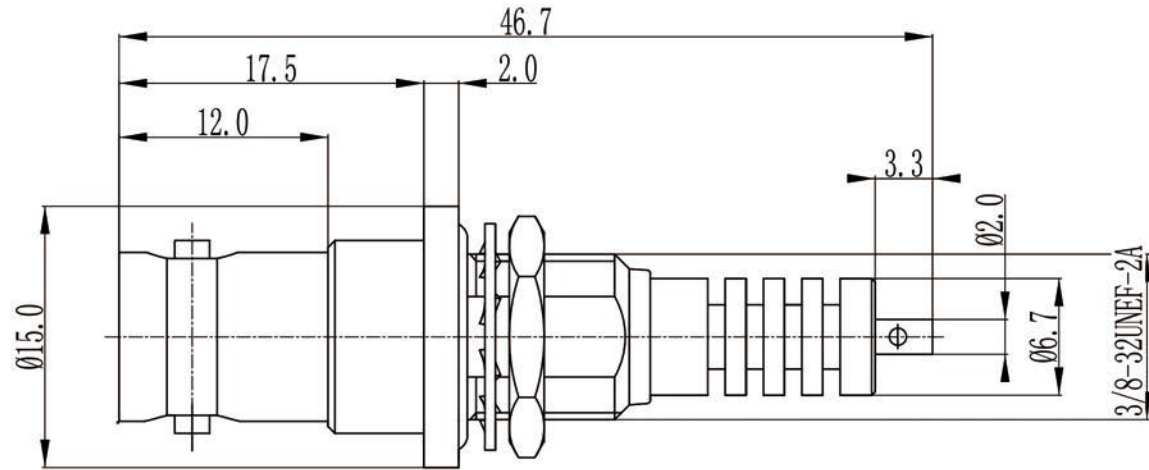
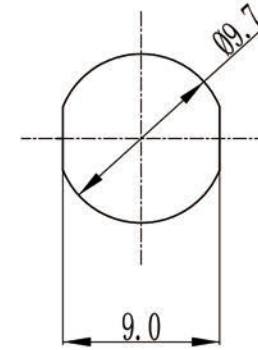


This document contains proprietary information and such information may not be disclosed to others for any purposes, not used for sales/marketing/procurement purposes without written permission

REV	DESCRIPTION OF REVISION	ECN NO.	BY	DATE	APPROVED
A	Initial Release	—	T. Shihua	18/02/14	18/02/14





Mounting Hole



- 1 Electrical
  - 1.1 Frequency: 0-0.3GHz
- 2 Mechanical
  - 2.1 Center contact: solder
- 3 Environmental
  - 3.1 Operating temperature -65° to 165°
  - 3.2 RoHS compliant
- 4 Material&Finish
  - 4.1 Inner Contact: brass, gold plated
  - 4.2 Outer Contact: nickel, gold plated
  - 4.3 Insulators: PTFE

Notes:

- 1. ALL SPECIFICATIONS ARE SUBJECT TO CHANGE NOTICE AT ANY TIME
- 2. CUSTOMER OUTLINE DRAWING FOR REFERENCE ONLY

DRAWN : T. Shihua 18/02/14 ENGINEER: C. Tao 18/02/14 APPROVED : W. Qiang 18/02/14	TITLE: High Voltage RF Connector SHV Female Bulkhead Connector For Terminal	 <a href="http://www.rf-connector-china.com">www.rf-connector-china.com</a>	
TOLERANCES UNLESS OTHERWISE SPECIFIED X +0.50 X +0.20 XX +0.10 ANGLES ±1°	PART NO: SHV-JYD3		DIMENSION IN MILLIMETERS (mm) 
SIZE: A4	SCALE: N/A	SHEET: 1/1	REV: A