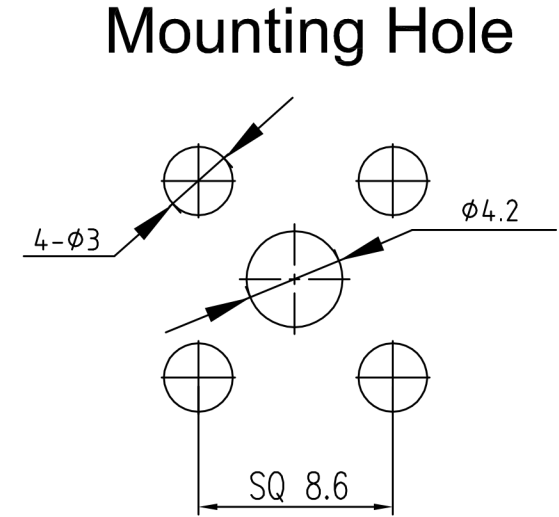
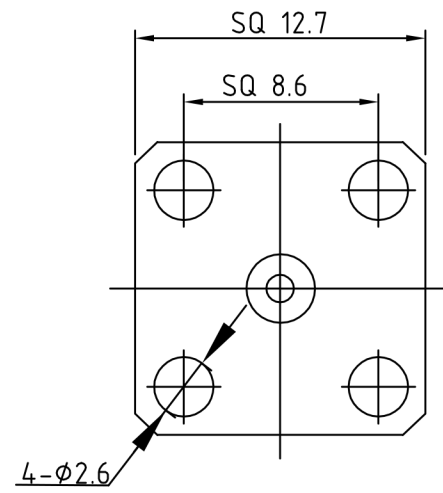
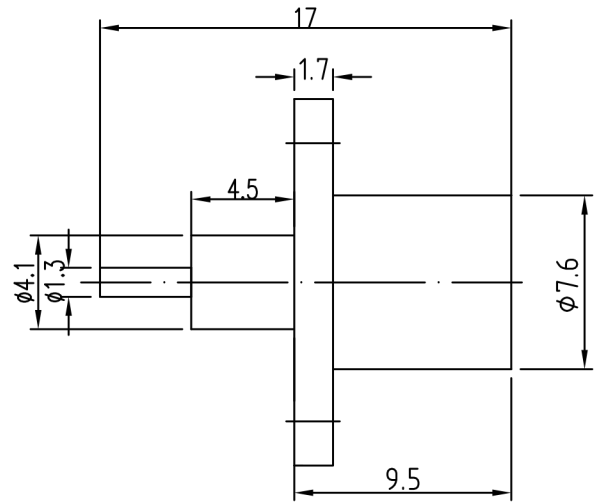


REVISION		
REV	DESCRIPTION	DATE



Electrical Characteristics

Impedance	50Ω
Frequency	0~18GHz
Dielectric withstanding voltage	750V(rms)
Center contact resistance	≤3 MΩ
Outer contact resistance	≤2 MΩ
Insulation resistance:	≥5000 MΩ

Mechanical Characteristics

Durability 500 cycles

3	Insulator	1	TEFLON		
2	Contact	1	Beryllium copper	Gold Plated	
1	Body	1	s.s.	Passivated	
No.	Description	Qty.	Material	Finish	Notes

CUSTOMER		DATE: Apr-3-12		TITLE JBMA-KFD10G	
APPROVED		Mike Ding			
CUSTOMER CODE		CHECKED David Fu			
DRAWN		Tomson Tang		A4 DWG NO.: TRL110629F SHEET: 1:1	
SCALE		UNIT	WEIGHT		
3:1		mm	—		

