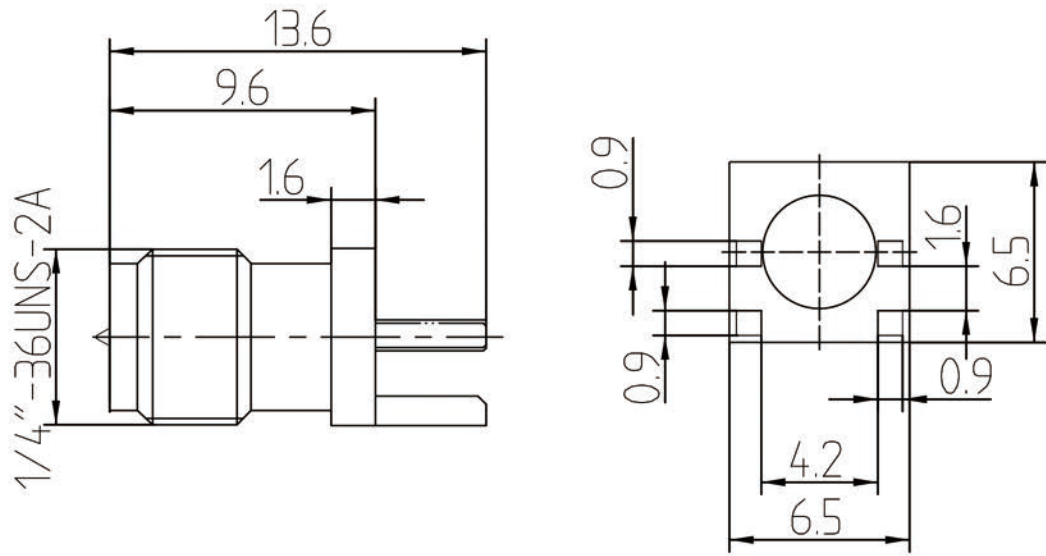


This document contains proprietary information and such information may not be disclosed to others for any purposes, nor used for sales/marketing/procurement purposes without written permission.
 本文件包含专有信息，没有书面许可，该信息不能以任何形式披露给第三方，也不能用于任何目的的买卖，销售及采购。

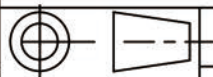


1 Electrical Data

- 1.1 Impedance: 50 Ω
- 1.2 Working voltage: 335V(rms)
- 1.3 Frequency Range: DC-6GHz
- 1.4 Insulation resistance: 5000M Ω min
- 1.5 Dielectric strength: 1000V
- 1.6 Center contact resistance: 3M Ω max
- 1.7 Outer contact resistance: 2.5M Ω max
- 1.8 VSWR: 1.20:1

2 Material&Finish

- 2.1 Inner Contact: gold plated over Bronze.
- 2.2 Outer Contact: gold plated over brass.
- 2.3 Insulators: Teflon



Scale

1:1

Name

Date

Designed

Michael Tang

17-Aug-10

Checked

Jason Cai

17-Aug-10

Approved

Teresa

17-Aug-10

RPSMA-JHDC3
 RPSMA Female for PCB
 Edge

UNLESS OTHERWISE SPECIFIED
 DIMENSIONS ARE mm, TOLERANCES ARE:
 FRACTIONS DECIMALS ANGLES
 .X± .15 ±1°
 .XX± .05
 .XXX±



www.rf-connector-china.com