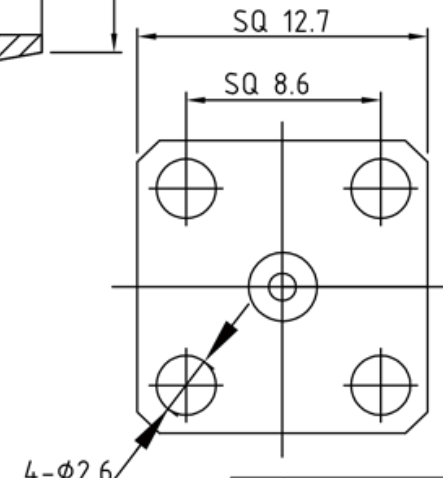
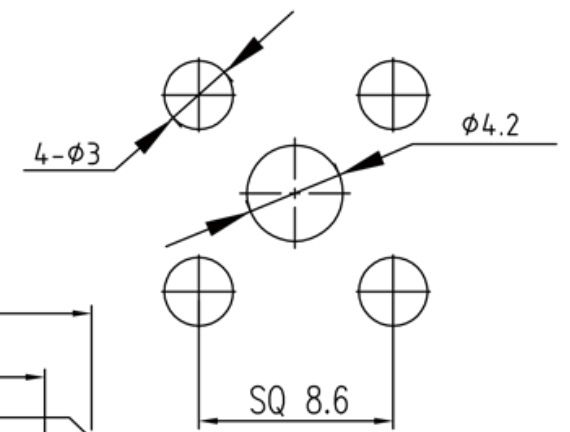


REVISION		
REV	DESCRIPTION	DATE

Mounting Hole



Electrical Characteristics

Impedance 50Ω
 Frequency 0~18GHz
 Dielectric withstanding voltage 750V(rms)
 Center contact resistance ≤3 MΩ
 Outer contact resistance ≤2 MΩ
 Insulation resistance: ≥5000 MΩ

Mechanical Characteristics

Durability 500 cycles

3	INSULATOR	1	TEFLON		
2	CONTACT	1	BeCu	Gold Plated	
1	BODY	1	S.S.	Passivated	
No.	Description	Qty.	Material	Finish	Notes

CUSTOMER		DATE: Apr-2-12	
APPROVED		Mike Ding	
CUSTOMER CODE		CHECKED David Fu	
DRAWN		Tomson Tang	
SCALE 3:1		UNIT mm	WEIGHT —

TITLE		JBMA-JF D10G	
A4	DWG NO.:	TRL110629E	
SHEET: 1:1			

