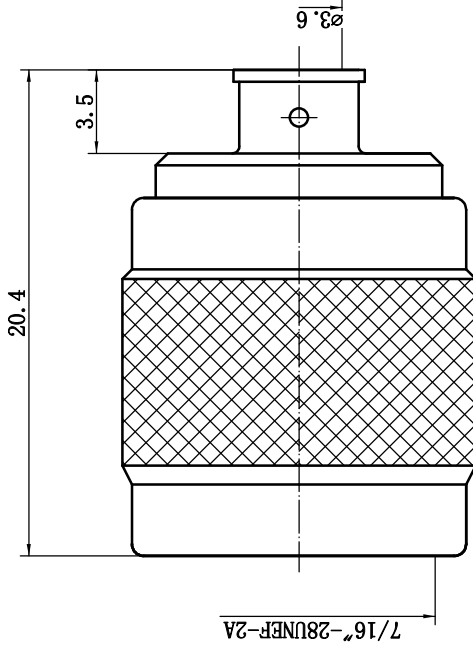


This document contains proprietary information and such information may not be disclosed to others for any purposes, not used for sales/marketing/procurement purposes without written permission

- 1 电气性能
- 1.1 特性阻抗 50 Ω
- 1.2 频率 DC~6GHz
- 1.3 介质耐压 1500V
- 1.4 中心导体电阻 $\leq 1.5M\Omega$
- 1.5 外导体电阻 $\leq 0.2M\Omega$
- 1.6 绝缘电阻 $\geq 5000M\Omega$
- 1.7 VSWR $\leq 1.25: 1$

2 材料及涂覆

- 2.1 外壳: 黄铜, 镀三元
- 2.2 绝缘子: teflon
- 2.3 内导体: 黄铜, 镀金
- 2.4 螺套: 黄铜, 镀三元



Notes:

1. ALL SPECIFICATIONS ARE SUBJECT TO CHANGE NOTICE AT ANY TIME
2. CUSTOMER OUTLINE DRAWING FOR REFERENCE ONLY

REV	DESCRIPTION OF REVISION	ECN NO.	BY	DATE	APPROVED
A	Initial Release		T. Haiyum	21/05/08	21/05/08

DRAWN: T. Haiyum 21/05/08	TITLE: RF Coaxial Connector		www.rf-connector-china.com	
ENGINEER: C. Tao 21/05/08	TNC Male Conn. for RG402/ 141 Cable		DIMENSION IN MILLIMETERS (mm)	
APPROVED: W. Qiang 21/05/08	TOLERANCES UNLESS OTHERWISE SPECIFIED		SCALE: N/A	
X ±0.50	.X ±0.20		SIZE: A4	
.XX ±0.10	ANGLES ±1°		SHEET: 1/1	
PART NO: TNC-JB3-F	REV: A		4	