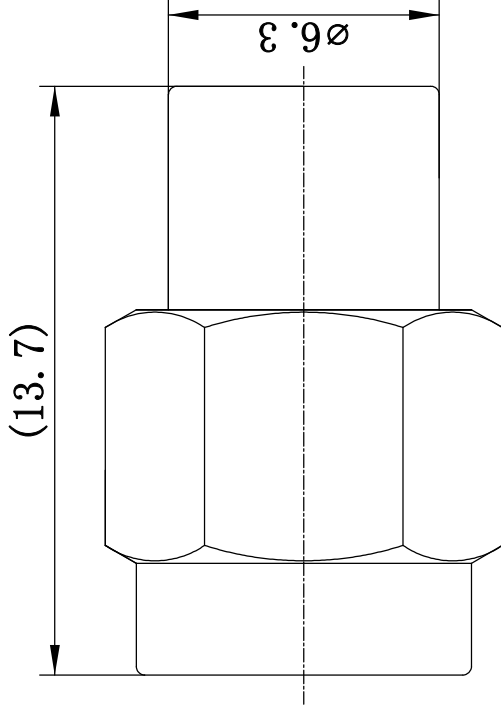


This document contains proprietary information and such information may not be disclosed to others for any purposes, not used for sales/marketing/procurement purposes without written permission





- 1 Electrical
  - 1.1 Impedance 50 Ω
  - 1.2 Frequency DC~6GHz
  - 1.3 VSWR 1.20:1
- 2 Environmental&Mechanical
  - 2.1 Temperature range -45°C~+125°C
  - 2.2 RoHs Compliant
  - 2.3 Durability >500 cycles

- 3 Materials&plating
  - 3.1 Body: Brass; gold plated
  - 3.2 Insulator: Teflon
  - 3.3 Contact Pin: Bronze, gold plated
  - 3.4 Nut: Brass; gold plated

Notes:

1. ALL SPECIFICATIONS ARE SUBJECT TO CHANGE NOTICE AT ANY TIME
2. CUSTOMER OUTLINE DRAWING FOR REFERENCE ONLY

REV	DESCRIPTION OF REVISION	ECN NO.	BY	DATE	APPROVED
A	Initial Release		T. Haiyun	23/5/14	23/5/14

DRAWN: T. Haiyun 25/5/14 ENGINEER: C. Tao 25/5/14 APPROVED: W. Qiang 25/5/14 TOLERANCES UNLESS OTHERWISE SPECIFIED X ±0.50 .X ±0.20 .XX ±0.10 ANGLES ±1°	TITLE: RF TERMINATION RP SMA Male Conn. Termination 1W PART NO: RPSMA-50KR	 www.rf-connector-china.com  DIMENSION IN MILLIMETERS (mm) SCALE: N/A SHEET: 1/1 REV: A
---	--	---