

This document contains proprietary information and such information may not be disclosed to others for any purposes, not used for sales/marketing/procurement purposes without written permission

REV	DESCRIPTION OF REVISION	ECN NO.	BY	DATE	APPROVED
A	Initial Release		T.Shihua	18/02/14	18/02/14

1 Electrical data

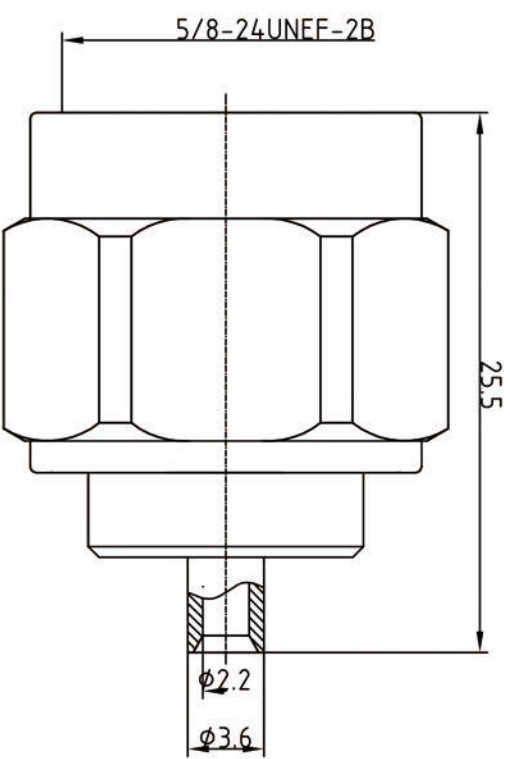
- 1.1 Impedance: 50Ω
- 1.2 Frequency: DC-18GHz
- 1.3 VSWR 1.25:1

2 Mechanical data

- 2.1 Temperature range -55°C ~+165°C
- 2.2 Durability(matings) >500


3 Material&Finish

- 3.1 Contact: Brass, gold plated
- 3.2 Body:Brass, nickel plated
- 3.3 Insulators: PTFE



Notes:

- 1.ALL SPECIFICATIONS ARE SUBJECT TO CHANGE NOTICE AT ANY TIME
- 2.CUSTOMER OUTLINE DRAWING FOR REFERENCE ONLY

DRAWN: T.Shihua 18/02/14	TITLE: N-JB2B	 www.r-conector-china.com
ENGINEER: C.Too 18/02/14	N Male Straight Connector For .086 Cable	
APPROVED: W.Qiang 18/02/14	PART NO: TRL-NM-268903	SIZE: A4
TOLERANCES UNLESS OTHERWISE SPECIFIED X .650 XX .420 ANGLES 30°	SCALE: N/A	SHEET: 1/1
		REVISION: A

DIMENSION IN MILLIMETERS (mm)