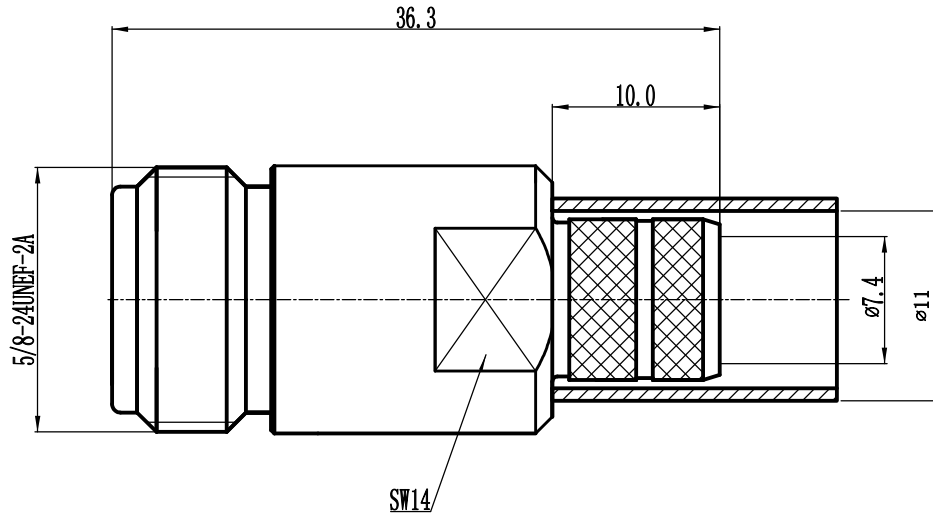


This document contains proprietary information and such information may not be disclosed to others for any purposes, not used for sales/marketing/procurement purposes without written permission

REV	DESCRIPTION OF REVISION	ECN NO.	BY	DATE	APPROVED
A	Initial Release	—	T. Shihua	07/04/16	07/04/16



**1 Electrical**

- 1.1 Impedance 50  $\Omega$
- 1.2 Frequency 0~6GHz
- 1.3 VSWR 1.30:1

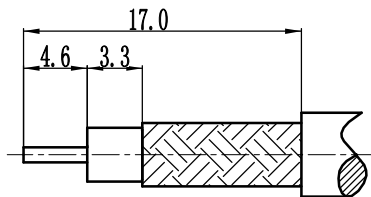
**2 Environmental&Mechanical**

- 2.1 Temperature range -45 $^{\circ}$ C~125 $^{\circ}$ C
- 2.2 RoHS Compliant
- 2.3 Durability >500 cycles

**3 Materials&plating**



- 3.1 Body: Brass, nickel plated
- 3.2 Insulator: Teflon
- 3.3 Contact Pin: Bronze, Gold plated

Recommended Cable Stripping Dimension



**Notes:**

- 1. ALL SPECIFICATIONS ARE SUBJECT TO CHANGE NOTICE AT ANY TIME
- 2. CUSTOMER OUTLINE DRAWING FOR REFERENCE ONLY

DRAWN: T. Shihua 07/04/16	TITLE: RF Coaxial Connector  N female Crimp Conn. For RG213/LMR400/RG8 Cable	 www.rf-connector-china.com			
ENGINEER: C. Tao 07/04/16					
APPROVED: W. Qiang 07/04/16		 DIMENSION IN MILLIMETERS (mm)			
TOLERANCES UNLESS OTHERWISE SPECIFIED	PART NO: N-K400Y	SIZE: A4	SCALE: N/A	SHEET: 1/1	REV: A
X ±0.50					
.X ±0.20					
.XX ±0.10					
ANGLES ±1 $^{\circ}$					