

This document contains proprietary information and such information may not be disclosed to others for any purposes, not used for sales/marketing/procurement purposes without written permission

REV	DESCRIPTION OF REVISION	ECN NO.	BY	DATE	APPROVED
A	Initial Release	—	T.Shihua	26/8/16	26/8/16

1 Electrical

- 1.1 Impedance: 50Ω
- 1.2 Frequency: DC-18GHz
- 1.3 VSWR: 1.2:1

2 Mechanical&Environmental

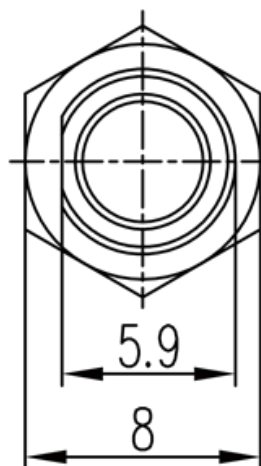
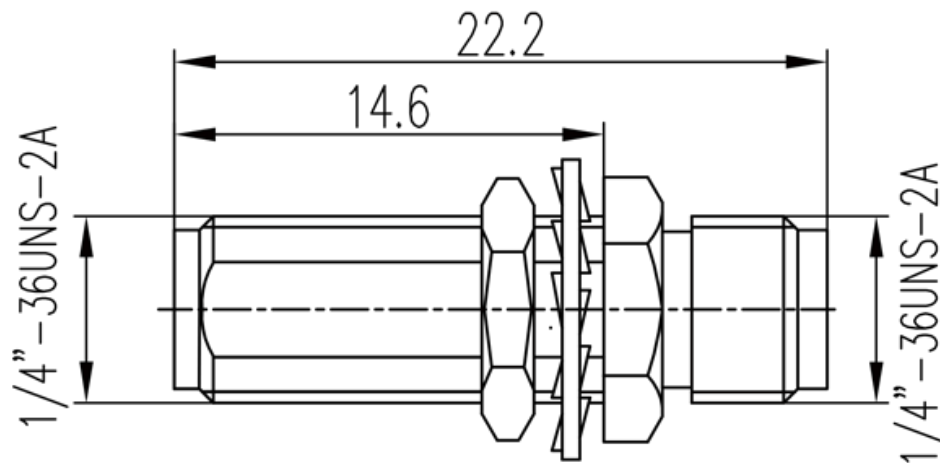
- 2.1 Temperature range -45°C ~+85°C
- 2.2 Durability(matings) >500
- 2.3 RoHs Compliant Yes

3 Material&Finish

- 3.1 Pin contact: Beryllium-Copper, gold plated
- 3.2 Body: Stainless Steel, Passivated
- 3.3 Insulators: Teflon



4 Interface Standards

- 4.1 SMA MIL-STD-348A



Notes:

- 1.ALL SPECIFICATIONS ARE SUBJECT TO CHANGE NOTICE AT ANY TIME
- 2.CUSTOMER OUTLINE DRAWING FOR REFERENCE ONLY

DRAWN: T.Shihua 26/8/16	TITLE:	 www.rf-connector-china.com
ENGINEER: C.Tao 26/8/16	Precision Adapter	
APPROVED: W.Qiang 26/8/16	SMA Female to SMA Female Bulkhead	
TOLERANCES UNLESS OTHERWISE SPECIFIED X ±0.50 .X ±0.20 .XX ±0.10 ANGLES ±1°		 DIMENSION IN MILLIMETERS (mm)
PART NO: SMA-KYKG	SIZE: A4	SCALE: N/A
	SHEET: 1/1	REV: A