

This document contains proprietary information and such information may not be disclosed to others for any purposes, not used for sales/marketing/procurement purposes without written permission

REV	DESCRIPTION OF REVISION	TRL NO.	BY	DATE	APPROVED
A	Initial Release	—	T. Shihua	17/02/2022	17/02/2022

1 Electrical

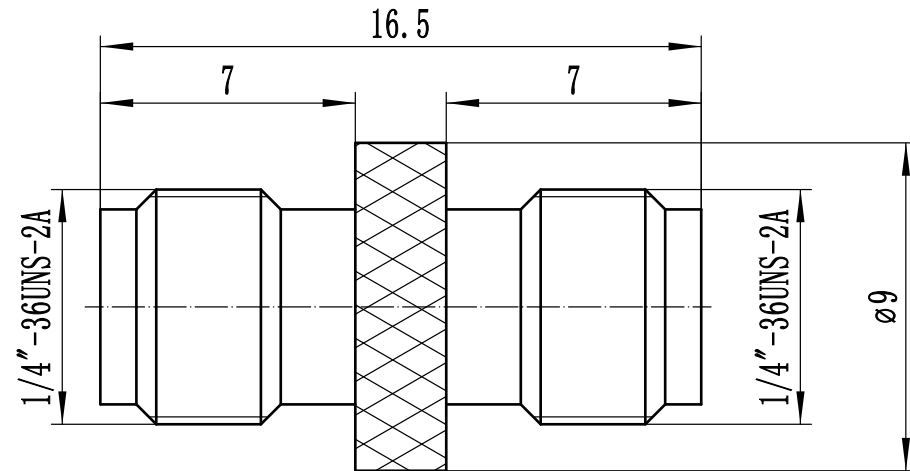
- 1.1 Impedance: 50 Ω
- 1.2 Frequency: DC~18.0GHz
- 1.3 VSWR: ≤1.20
- 1.4 Insulation resistance: ≥5000M Ω
- 1.5 Dielectric strength: 1000V
- 1.6 Center contact ≤ 3.0m Ω
- 1.7 Outer contact ≤ 2.0m Ω

2 Environmental&Mechanical

- 2.1 Temperature range: -55℃~+125℃
- 2.2 RoHS Compliant
- 2.3 Durability: >500 cycles



3 Materials&Finish

- 3.1 Body: Brass, Gold plated
- 3.2 Insulator: Teflon
- 3.3 Contact Pin: Beryllium-Copper, Gold plated



Notes:

- 1. ALL SPECIFICATIONS ARE SUBJECT TO CHANGE NOTICE AT ANY TIME
- 2. CUSTOMER OUTLINE DRAWING FOR REFERENCE ONLY

DRAWN: T. Shihua 17/02/2022 ENGINEER: C. Tao 17/02/2022 APPROVED: W. Qiang 17/02/2022 TOLERANCES UNLESS OTHERWISE SPECIFIED X ±0.50 .X ±0.20 .XX ±0.10 ANGLES ±1°	TITLE RF Coaxial Connector SMA Female to Female PART NO: SMA-KKA	 www.rf-connector-china.com  DIMENSION IN MILLIMETERS (mm)		
	SIZE: A4	SCALE: 5:1	SHEET: 1/1	REV: VA