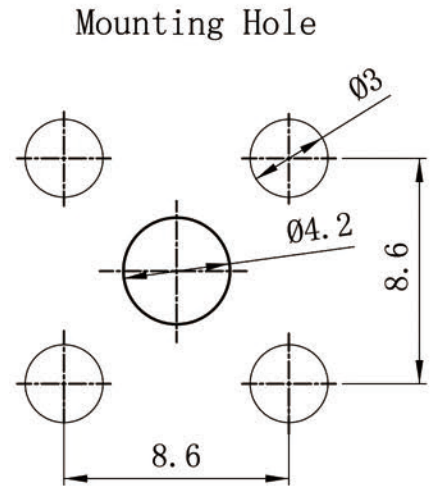
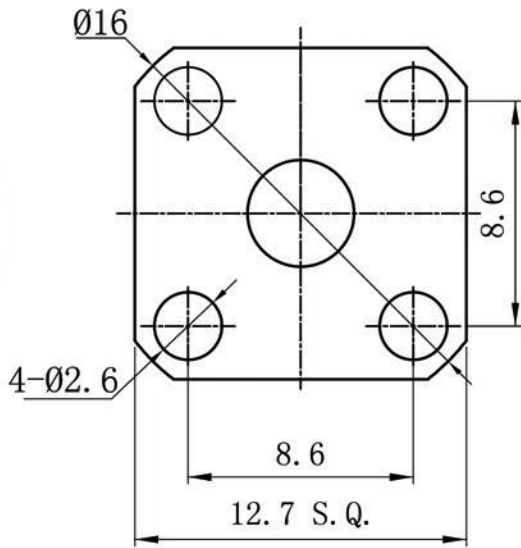
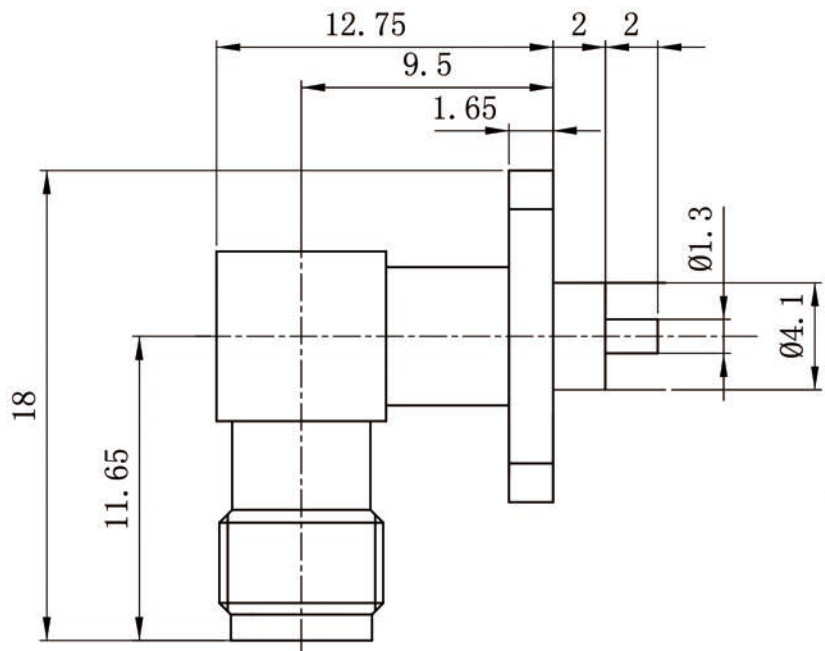


REVISION		
REV	DESCRIPTION	DATE



1 Electrical Data


- 1.1 Impedance: 50 Ω
- 1.2 Working voltage: 335V(rms)
- 1.3 Frequency Range: 0-8GHz
- 1.4 Insulation resistance: 5000MΩ min
- 1.5 Dielectric strength: 1000V
- 1.6 Center contact resistance: 3MΩ max
- 1.7 Outer contact resistance: 2.5MΩ max

2 Material&Finish

- 2.1 Inner Contact: gold plated over Beryllium-copper.
- 2.2 Outer Contact: gold plated over brass.
- 2.3 Insulators: Teflon

RoHS  
Compliance

NO.	DESCRIPTION	Q' TY	MATERIAL	PLATING	REMARKS
3	INSULATOR	1	TEFLON		
2	CONTACT	1	BRASS	Gold Plate	
1	BODY	1	BRASS	Gold Plate	

CUSTOMER	DATE 23-Apr-18		 www.terullai.com		
	APPROVED BY	Xin Li			
CUSTOMER CODE	CHECKED BY	Super-Way	TITLE <b>SMA-KWFD108</b>		
	DRAWN BY	Fei Wang			
SCALE	UNIT	WEIGHT	A4	DWG NO. SHEET	
	5/1	mm			