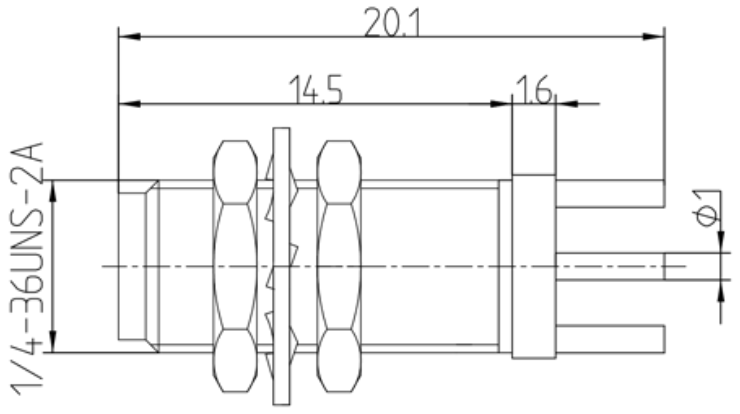


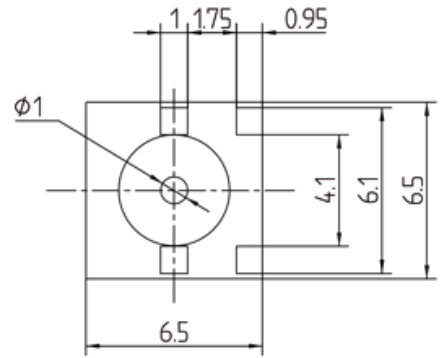
This document contains proprietary information and such information may not be disclosed to others for any purposes, not used for sales/marketing/procurement purposes without written permission

REV	DESCRIPTION OF REVISION	ECN NO.	BY	DATE	APPROVED
A	Initial Release	—	T. Shihua	01/09/15	01/09/15





- 1. Electrical
 - 1.1 Impedance: 50ohm
 - 1.2 Frequency: DC-6GHz
 - 1.3 VSWR: 1.20:1
 - 1.4 Insulation resistance: >5000MΩ
 - 1.5 Dielectric withstanding voltage: 500V(rms)
 - 1.6 Center Contact resistance < 3MΩ
 - 1.7 Outer contact < 2MΩ

- 2. Material&Finish
 - 2.1 Inner Contact: Beryllium copper, gold plated
 - 2.2 Outer Contact: brass, gold plated
 - 2.3 Insulators: PTFE



Notes:

- 1. ALL SPECIFICATIONS ARE SUBJECT TO CHANGE NOTICE AT ANY TIME
- 2. CUSTOMER OUTLINE DRAWING FOR REFERENCE ONLY

DRAWN : T. Shihua 01/09/15 ENGINEER: C. Tao 01/09/15 APPROVED : W. Qiang 01/09/15 TOLERANCES UNLESS OTHERWISE SPECIFIED X ±0.50 X ±0.20 XX ±0.10 ANGLES ±1°	TITLE: RF Coaxial Connector SMA Female Bulkhead Conn. for PCB	 www.rf-connector-china.com  DIMENSION IN MILLIMETERS (mm)		
PART NO: SMA-KYHDC6	SIZE: A4	SCALE: N/A	SHEET: 1/1	REV: A