

**RoHs Compliant**

Electrical

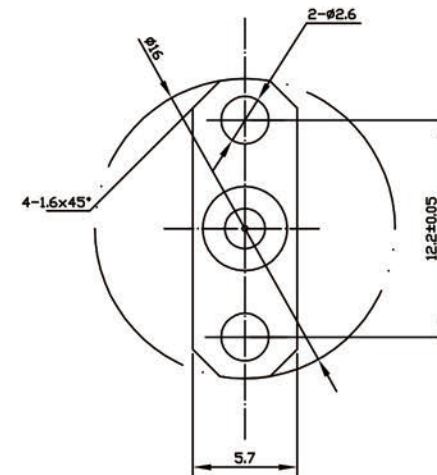
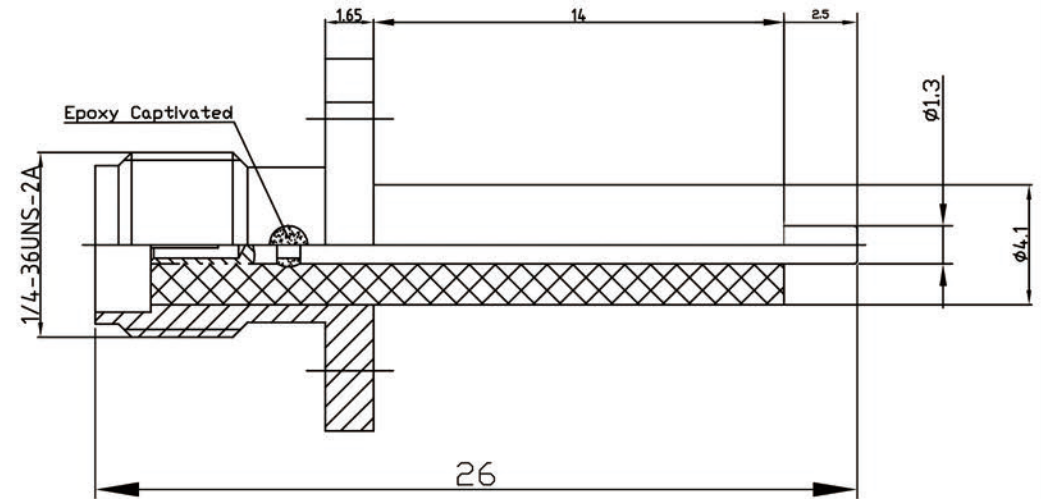
1. Impedance:  $50\Omega$
2. Frequency range: 0-18GHz
3. VSWR: 1.3 max
4. Working voltage:  $\leq 250V$
5. Dielectric withstanding voltage:  $\geq 750V$
6. Insulation resistance:  $\geq 1000M\Omega$
7. Center Contact resistance:  $\leq 3.0m\Omega$
8. Outer contact resistance:  $\leq 2.0m\Omega$
9. Insertion loss: 0.1dB


Material&Finish

1. Inner Conductor: Beryllium-copper, gold plated
2. Outer conductor: Brass, Gold Plated
3. Insulators: PTFE

Environmental

1. RoHs Compliant
2. 96Hrs Salt Spray



1					
ITEM NO.	DESCRIPTION		TRL TYPE	QTY	REMARKS
DESIGNED	Tomson Tang	SCALE	4:1	NAME	SMA-KFD710
CHECKED	Jason Ding	EDITION	A		
APPROVED	Teresa Ren	SHEET	1/1	PARTS NO.	TRL12.011.229
 <a href="http://www.rf-connector-china.com">www.rf-connector-china.com</a>				DATE	2012.11.22