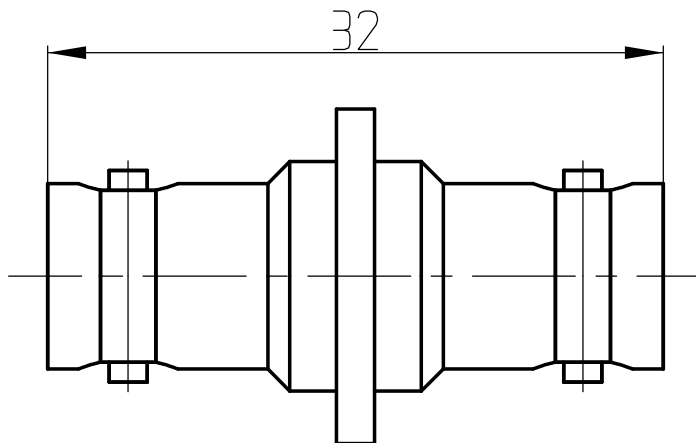
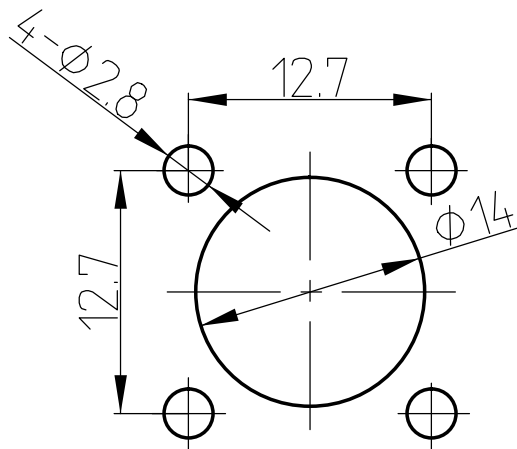


This document contains proprietary information and such information may not be disclosed to others for any purposes, not used for sales/marketing/procurement purposes without written permission

| REV | DESCRIPTION OF REVISION | ECN NO. | BY | DATE | APPROVED |
|-----|-------------------------|---------|-----------|---------|----------|
| A | Initial Release | — | T. Shihua | 17/3/15 | 17/3/15 |
| B | New Release | — | T. Shihua | 18/3/15 | 18/3/15 |

Recommended Mounting Hole



1 Electrical

| | |
|-------------------------------------|-------------------------------------|
| 1.1 Impedence | 50 Ω |
| 1.2 Frequency | DC-300MHz |
| 1.3 Dielectric withstanding voltage | 3KV rms, 50Hz(Depending on cable) |
| 1.4 Working voltage(at sea level) | 1.6KV rms, 50Hz(Depending on cable) |
| 1.5 Insulation resistance | ≥5000·10 ⁹ MΩ |
| 1.6 Center contact resistance | ≤ 2MΩ |
| 1.7 Outer contact resistance | ≤ 1MΩ |
| 1.8 Corona extinction voltage | ≥300V rms, 50Hz(Depending on cable) |
| 1.9 Current rating continuous | ≤ 10A |

2 Environmental&Mechanical


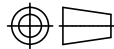
| | |
|-----------------------|-------------|
| 2.1 Temperature range | -45℃~125℃ |
| 2.2 RoHS Compliant | |
| 2.3 Durability | >500 cycles |

3 Materials&Finish

| | |
|------------------|----------------------|
| 3.1 Body: | Brass, Nickel plated |
| 3.2 Insulator: | Teflon |
| 3.3 Contact Pin: | Bronze, gold plated |
| 3.4 Housing: | Brass, nickel plated |

Notes:

- ALL SPECIFICATIONS ARE SUBJECT TO CHANGE NOTICE AT ANY TIME
- CUSTOMER OUTLINE DRAWING FOR REFERENCE ONLY

| | | | | |
|---|---|---|------------|--------|
| DRAWN: T. Shihua 17/3/15 ENGINEER: C. Tao 17/3/15 APPROVED: W. Qiang 17/3/15 TOLERANCES UNLESS OTHERWISE SPECIFIED X ±0.50 .X ±0.20 .XX ±0.10 ANGLES ±1° | TITLE: RF Adaptor MHV Female to Female Flange |  www.t-relytech.com  DIMENSION IN MILLIMETERS (mm) | | |
| PART NO: MHV-KFK | SIZE: A4 | SCALE: N/A | SHEET: 1/1 | REV: B |