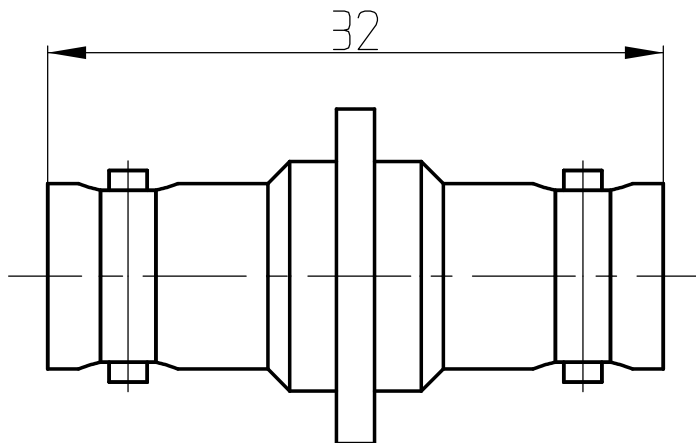
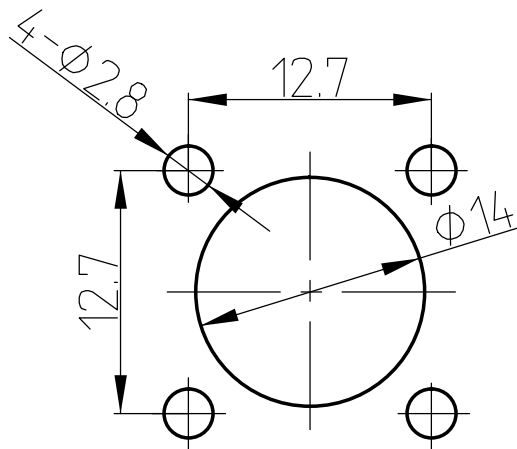


This document contains proprietary information and such information may not be disclosed to others for any purposes, not used for sales/marketing/procurement purposes without written permission

REV	DESCRIPTION OF REVISION	ECN NO.	BY	DATE	APPROVED
A	Initial Release	—	T. Shihua	17/3/15	17/3/15
B	New Release	—	T. Shihua	18/3/15	18/3/15

Recommended Mounting Hole



1 Electrical

1.1 Impedence	50 Ω
1.2 Frequency	DC-300MHz
1.3 Dielectric withstanding voltage	3KV rms, 50Hz(Depending on cable)
1.4 Working voltage(at sea level)	1.6KV rms, 50Hz(Depending on cable)
1.5 Insulation resistance	≥5000·10 ⁹ MΩ
1.6 Center contact resistance	≤ 2MΩ
1.7 Outer contact resistance	≤ 1MΩ
1.8 Corona extinction voltage	≥300V rms, 50Hz(Depending on cable)
1.9 Current rating continuous	≤ 10A

2 Environmental&Mechanical


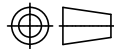
2.1 Temperature range	-45℃~125℃
2.2 RoHS Compliant	
2.3 Durability	>500 cycles

3 Materials&Finish

3.1 Body:	Brass, Nickel plated
3.2 Insulator:	Teflon
3.3 Contact Pin:	Bronze, gold plated
3.4 Housing:	Brass, nickel plated

Notes:

- ALL SPECIFICATIONS ARE SUBJECT TO CHANGE NOTICE AT ANY TIME
- CUSTOMER OUTLINE DRAWING FOR REFERENCE ONLY

DRAWN: T. Shihua 17/3/15 ENGINEER: C. Tao 17/3/15 APPROVED: W. Qiang 17/3/15 TOLERANCES UNLESS OTHERWISE SPECIFIED X ±0.50 .X ±0.20 .XX ±0.10 ANGLES ±1°	TITLE: RF Adaptor MHV Female to Female Flange	 www.t-relytech.com  DIMENSION IN MILLIMETERS (mm)		
PART NO: MHV-KFK	SIZE: A4	SCALE: N/A	SHEET: 1/1	REV: B