

This document contains proprietary information and such information may not be disclosed to others for any purposes, not used for sales/marketing/procurement purposes without written permission

REV	DESCRIPTION OF REVISION	TRL NO.	BY	DATE	APPROVED
A	Initial Release	—	T.Shihua	18/7/08	18/7/08

1 Electrical

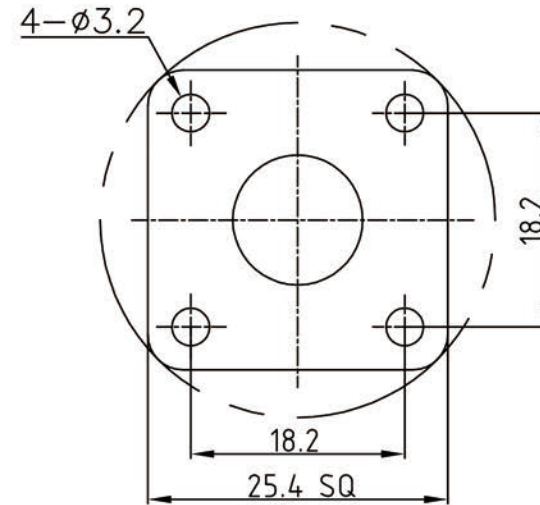
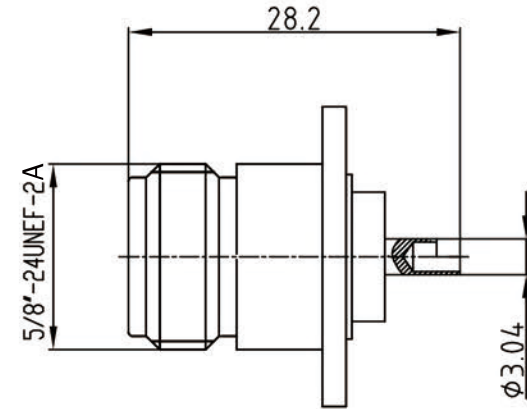
- 1.1 Impedence 50Ω
- 1.2 Dielectric withstanding voltage 1500V(volts RMS)
- 1.3 Center contact resistance ≤ 1MΩ
- 1.4 Outer contact resistance ≤ 0.2MΩ
- 1.5 Insulation resistance: ≥5000MΩ

2 Environmental&Mechanical

- 2.1 Temperature range -40℃~+70℃
- 2.2 RoHs Compliant
- 2.3 Durability >500 cycles



3 Materials&plating

- 3.1 Body: Brass, Nickel plated
- 3.2 Insulator: Teflon
- 3.3 Contact Pin: Brass, Gold plated



Notes:

- 1.ALL SPECIFICATIONS ARE SUBJECT TO CHANGE NOTICE AT ANY TIME
- 2.CUSTOMER OUTLINE DRAWING FOR REFERENCE ONLY

DRAWN: T.Shihua 18/7/08	TITLE: N-50KF	 www.t-rely.com.cn
ENGINEER: C.Tao 18/7/08	N Female Flange Conn. For Terminal	
APPROVED: W.Qiang 18/7/08		 DIMENSION IN MILLIMETERS (mm)
TOLERANCES UNLESS OTHERWISE SPECIFIED X ±0.50 .X ±0.20 .XX ±0.10 ANGLES ±1°	PART NO: TRL-NF-173899	SIZE: A4 SCALE: N/A SHEET: 1/1 REV: A