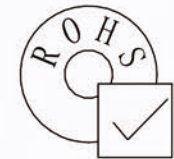
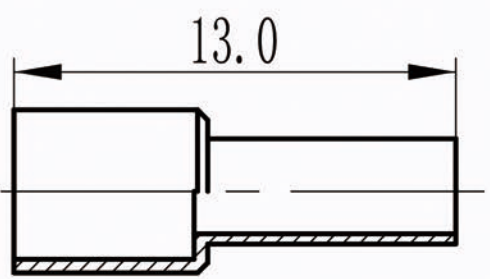
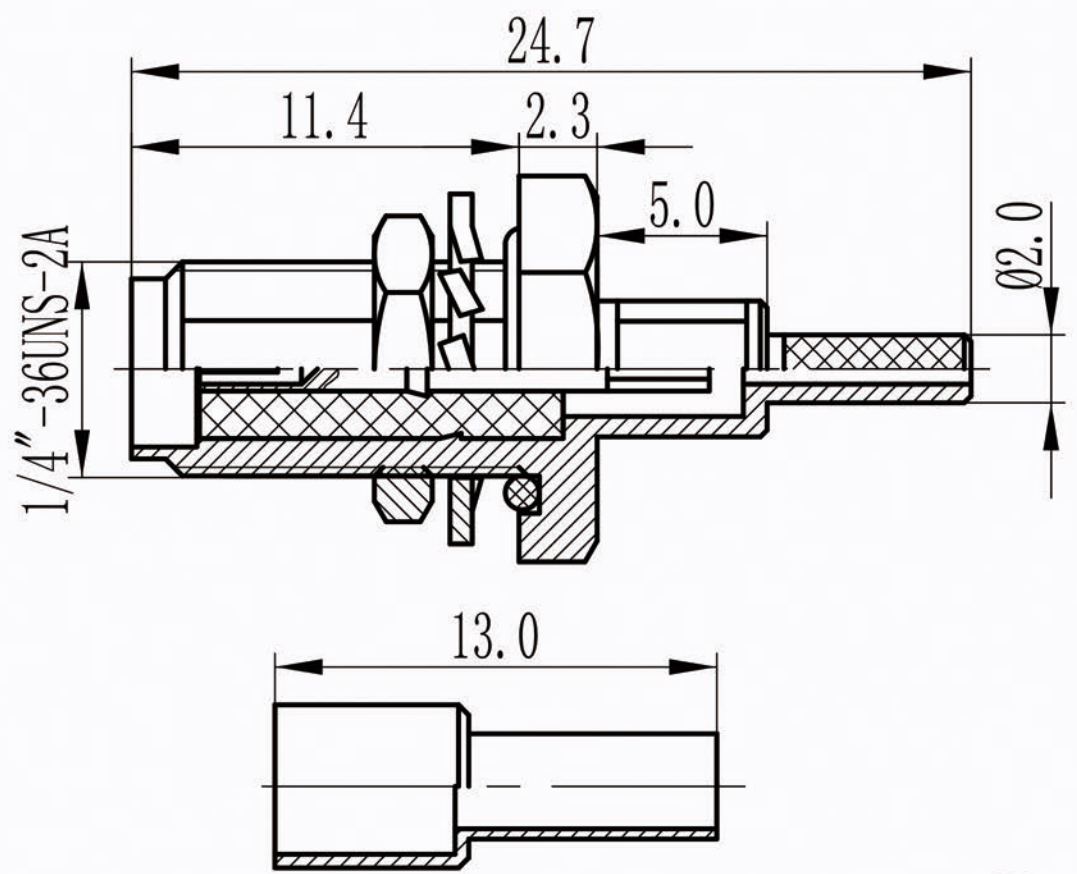


This document contains proprietary information and such information may not be disclosed to others for any purposes, not used for sales/marketing/procurement purposes without written permission

REV	DESCRIPTION OF REVISION	ECN NO.	BY	DATE	APPROVED
A	Initial Release	—	T. Shihua	03/07/17	03/07/17

- 1. Electrical
 - 1.1 Impedance: 50ohm
 - 1.2 Frequency: DC-3GHz
 - 1.3 Insulation resistance: $\geq 5000M\Omega$
 - 1.4 Dielectric withstanding voltage: 500V(rms)
 - 1.5 Center Contact resistance $\leq 3M\Omega$
 - 1.6 Outer contact $\leq 2M\Omega$
- 2 Material&Finish
 - 2.1 Inner Contact: Beryllium copper, gold plated
 - 2.2 Outer Contact: brass, gold plated
 - 2.3 Insulators: PTFE



Notes:

- 1. ALL SPECIFICATIONS ARE SUBJECT TO CHANGE NOTICE AT ANY TIME
- 2. CUSTOMER OUTLINE DRAWING FOR REFERENCE ONLY

DRAWN : T. Shihua 03/07/17 ENGINEER: C. Tao 03/07/17 APPROVED : W. Qiang 03/07/17 TOLERANCES UNLESS OTHERWISE SPECIFIED X ± 0.50 X ± 0.20 XX ± 0.10 ANGLES $\pm 1^\circ$	TITLE: RF Coaxial Connector SMA F B/H Conn. for 1.37mm Cable PART NO: SMA-KY21Y	www.rf-connector-china.com DIMENSION IN MILLIMETERS (mm) SIZE: A4 SCALE: N/A SHEET: 1/1 REV: A
---	---	---