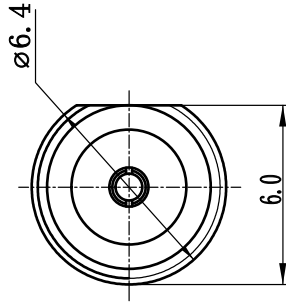


This document contains proprietary information and such information may not be disclosed to others for any purposes, not used for sales/marketing/procurement purposes without written permission

Recommended Mounting Hole



1 Electrical

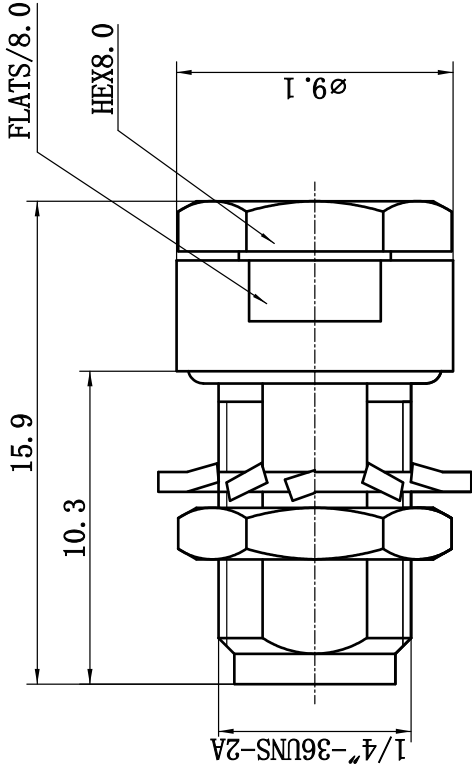
- 1.1 Impedence 50 Ω
- 1.2 Frequency 0~18GHz
- 1.3 VSWR 1.30:1

2 Environmental&Mechanical

- 2.1 Temperature range -45℃~125℃
- 2.2 RoHs Compliant
- 2.3 Durability >500 cycles

3 Materials&Finish

- 3.1 Body: Stainelss Steel, Passivated
- 3.2 Insulator: Teflon
- 3.3 Contact Pin: Beryllium Copper Gold plated
- 3.4 Washer: Stainelss Steel, Passivated
- 3.5 Hex Nut: Brass, Nickel plated



REV	DESCRIPTION OF REVISION	ECN NO.	BY	DATE	APPROVED
A	Initial Release		T. Shihua	14/9/13	14/9/13

Notes:

1. ALL SPECIFICATIONS ARE SUBJECT TO CHANGE NOTICE AT ANY TIME
2. CUSTOMER OUTLINE DRAWING FOR REFERENCE ONLY

DRAW : T. Shihua 14/9/13

ENGINEER: C. Tao 14/9/13

APPROVED : W. Qiang 14/9/13

TOLERANCES UNLESS OTHERWISE SPECIFIED

X ±0.50

.X ±0.20

.XX ±0.10

ANGLES ±1°

TITLE:

RF Coaxial Connector

SMA Female bulkhead Conn.

For .096 cable

PART NO: SMA-1V62AG



www.f-connector-china.com



DIMENSION IN MILLIMETERS (mm)

SIZE: A4

SCALE: N/A

SHEET: 1/1

REV: A