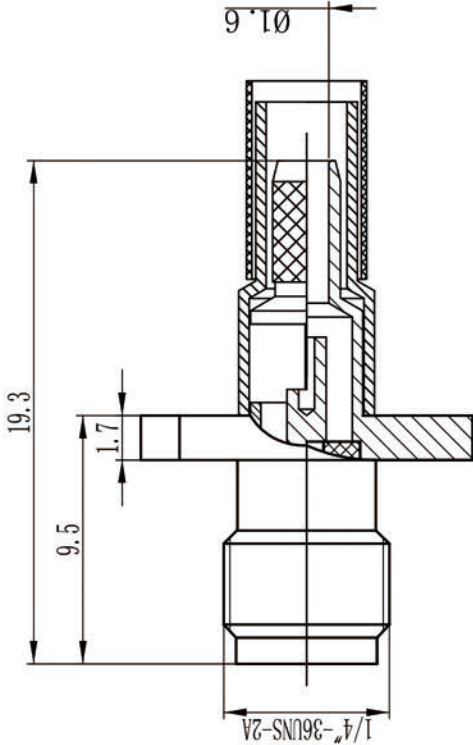
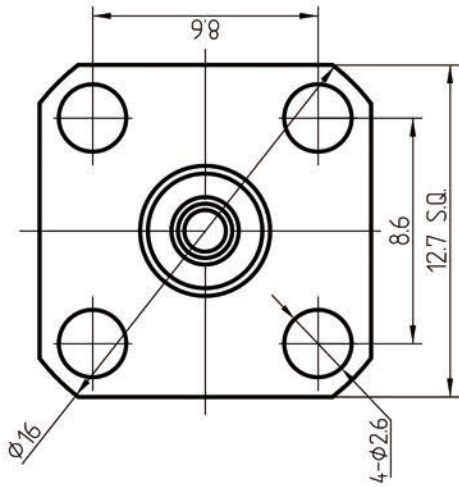


This document contains proprietary information and such information may not be disclosed to others for any purposes, not used for sales/marketing/procurement purposes without written permission

REV	DESCRIPTION OF REVISION	ECN NO.	BY	DATE	APPROVED
A	Initial Release		T. Shihua	12/7/13	12/7/13



1 Electrical

- 1.1 Impedance: 50 Ω
- 1.2 Frequency: DC ~ 3GHz
- 1.2 Dielectric withstanding voltage: 1000V (volts RMS)
- 1.3 Center contact resistance: ≤ 3M Ω
- 1.4 Outer contact resistance: ≤ 2M Ω
- 1.5 Insulation resistance: ≥ 5000M Ω

2 Environmental & Mechanical

- 2.1 Temperature range: -45°C ~ 85°C
- 2.2 RoHS Compliant
- 2.3 Durability: > 500 cycles



3 Materials & Plating

- 3.1 Body: Brass, Gold plated
- 3.2 Insulator: Teflon
- 3.3 Contact Pin: Beryllium Copper Gold plated

Notes:

- 1. ALL SPECIFICATIONS ARE SUBJECT TO CHANGE NOTICE AT ANY TIME
- 2. CUSTOMER OUTLINE DRAWING FOR REFERENCE ONLY

DRAWN : T. Shihua 12/07/13	TITLE: RF Coaxial Connector
ENGINEER: C. Tao 12/07/13	SMA Female flange Conn. For RG316 Sky window
APPROVED : W. Qiang 12/07/13	
TOLERANCES UNLESS OTHERWISE SPECIFIED	
X +0.50	
XX +0.20	
ANGLES ±°	

		www.rf-connector-china.com	
		DIMENSION IN MILLIMETERS (mm)	
SIZE: A4	SCALE: N/A	SHEET: 1/1	RF: A