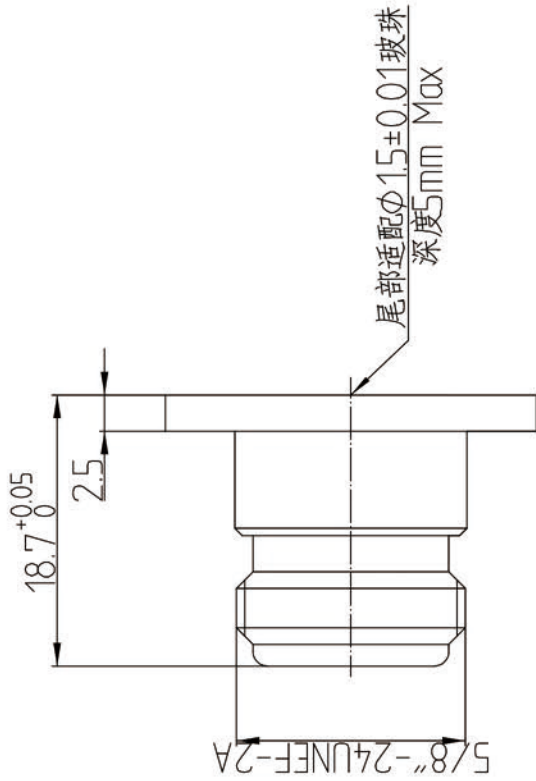


This document contains proprietary information and such information may not be disclosed to others for any purposes, not used for sales/marketing/procurement purposes without written permission



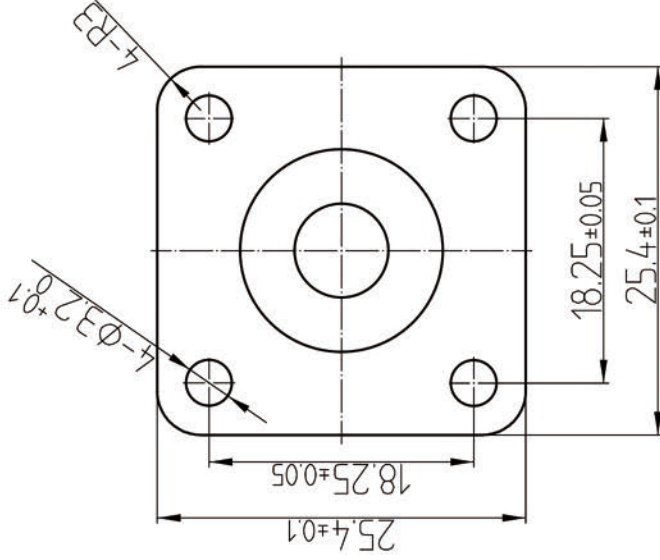
1. Electrical
- 1.1 Impedance: 50  $\Omega$
  - 1.2 Frequency: 0~3GHz
  - 1.3 Dielectric withstanding voltage: 1500V (volts RMS)
  - 1.4 Center contact resistance:  $\leq 1m\Omega$
  - 1.5 Outer contact resistance:  $\leq 0.2m\Omega$
  - 1.6 Insulation resistance:  $\geq 5000M\Omega$
  - 1.7 VSWR: 1.25:1

2. Environmental & Mechanical
- 2.1 Temperature range: -45 $^{\circ}$ C ~ 125 $^{\circ}$ C
  - 2.2 RoHS Compliant
  - 2.3 Durability: >500 cycles

3. Materials & plating
- 3.1 Body: Brass, nickel plated
  - 3.2 Insulator: Teflon
  - 3.3 Contact Pin: Bronze, Gold plated

Notes:

- 1. ALL SPECIFICATIONS ARE SUBJECT TO CHANGE NOTICE AT ANY TIME
- 2. CUSTOMER OUTLINE DRAWING FOR REFERENCE ONLY



REV	DESCRIPTION OF REVISION	ECN NO.	BY	DATE	APPROVED
A	Initial Release		T. Shihua	18/7/13	18/7/13

DRAWN: T. Shihua 18/07/13
ENGINEER: C. Tao 18/07/13
APPROVED: W. Qiang 18/07/13
TOLERANCES UNLESS OTHERWISE SPECIFIED
X ±0.50
.X ±0.20
XX ±0.10
ANGLES ±1 $^{\circ}$

TITLE:	
RF Coaxial Connector	www.rf-connector-china.com
N female Flange Conn. Terminal	
PART NO: N-KFD124A	SCALE: N/A
SHEET: 1/1	REV: A

DIMENSION IN MILLIMETERS (mm)	
SIZE: A4	SCALE: N/A
SHEET: 1/1	REV: A