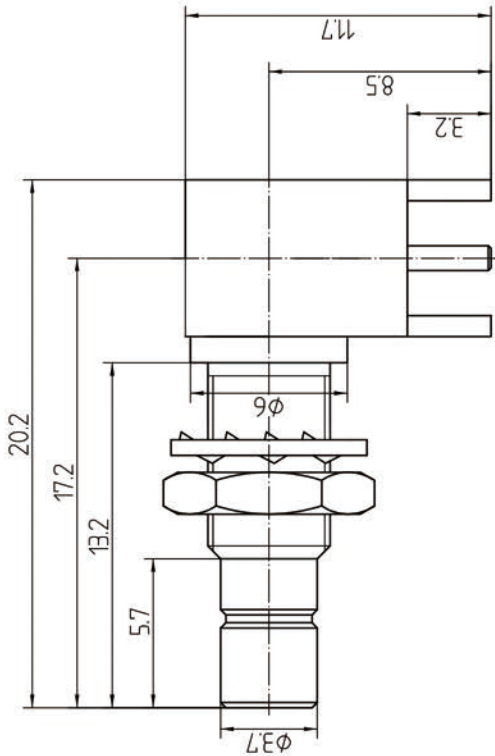
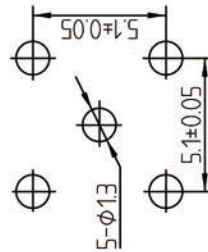


This document contains proprietary information and such information may not be disclosed to others for any purposes, not used for sales/marketing/procurement purposes without written permission



Mounting Hole



1 Electrical

- 1.1 Impedance: 50 Ω
- 1.2 Frequency: 0~6GHz
- 1.3 Working voltage: ≤250V
- 1.4 Insulation resistance: ≥1000MΩ
- 1.5 Dielectric strength: 750V
- 1.6 Center Contact resistance: ≤ 6mΩ
- 1.7 Outer contact resistance: ≤ 1mΩ

2 Environmental&Mechanical

- 2.1 Temperature range: -45℃~85℃
- 2.2 RoHs Compliant
- 2.3 Durability: 500 cycles

3 Materials&plating

- 3.1 Inner Contact: Brass, gold plating
- 3.1 Outer Contact: brass, gold plated
- 3.3 Insulators: Teflon
- 3.4 Hex nut: Brass, gold plating
- 3.5 Washer: Phosphor bronze, gold plating

REV	DESCRIPTION OF REVISION	ECN NO.	BY	DATE	APPROVED
A	Initial Release		T. Shihua	2/12/14	2/12/14

Notes:

- 1. ALL SPECIFICATIONS ARE SUBJECT TO CHANGE NOTICE AT ANY TIME
- 2. CUSTOMER OUTLINE DRAWING FOR REFERENCE ONLY

DRAWN : T. Shihua 2/12/14 ENGINEER: C. Tao 2/12/14 APPROVED : W. Qiang 2/12/14 TOLERANCES UNLESS OTHERWISE SPECIFIED X +0.05 XX +0.20 XXX +0.10 ANGLES °	TITLE: RF Coaxial Connector SMB male Bulkhead For PCB R/A comm.	www.rf-connector-china.com DIMENSION IN MILLIMETERS (mm)
PART NO: SMB-JYHD17 SCALE: N/A SHEET: 1/1 RFI: A		