

This document contains proprietary information and such information may not be disclosed to others for any purposes, not used for sales/marketing/procurement purposes without written permission

REV	DESCRIPTION OF REVISION	EON NO.	BY	DATE	APPROVED
A	Initial Release	---	T.Shihua	2/12/14	2/12/14

1 Electrical

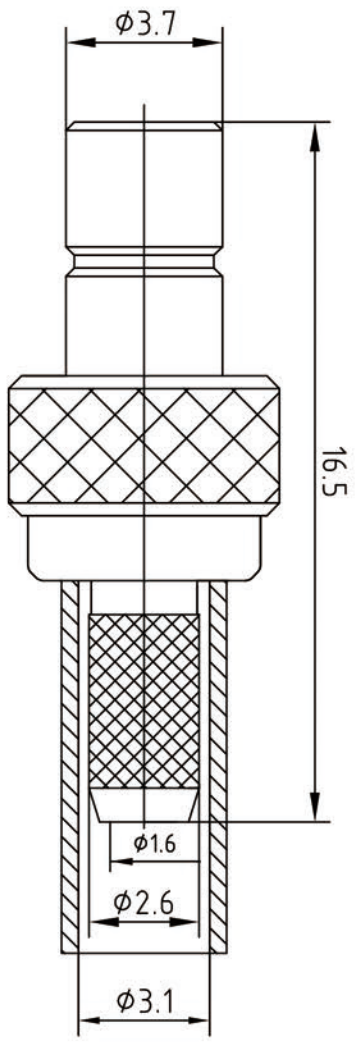
- 1.1 Impedance: 50Ω
- 1.2 Frequency: 0~6GHz
- 1.3 Working voltage: ≤250V
- 1.4 Insulation resistance: ≥1000MΩ
- 1.5 Dielectric strength: 750V
- 1.6 Center Contact resistance: ≤ 6mΩ
- 1.7 Outer contact resistance: ≤ 1mΩ

2 Environmental&Mechanical

- 2.1 Temperature range: -55℃~155℃
- 2.2 RoHS Compliant
- 2.3 Durability: 500 cycles


3 Materials&Plating

- 3.1 Inner Contact: Brass, gold plating
- 3.1 Outer Contact: brass, gold plated
- 3.3 Insulators: Teflon



Notes:

- 1. ALL SPECIFICATIONS ARE SUBJECT TO CHANGE NOTICE AT ANY TIME
- 2. CUSTOMER OUTLINE DRAWING FOR REFERENCE ONLY

DRAWN: T.Shihua 2/12/14	TITLE: SMB-J3	 www.trl-conector-china.com
ENGINEER: C.Too 2/12/14	SMB male conn. For RG316 Cable	
APPROVED: W.Qiang 2/12/14	PART NO: TRL-SMB-3410	SIZE: A4
TOLERANCES UNLESS OTHERWISE SPECIFIED X ±0.20 XX ±0.10 ANGLES 30°	SCALE: N/A	DIMENSION IN MILLIMETERS (mm)
		SHEET: 1/1
		REV: A