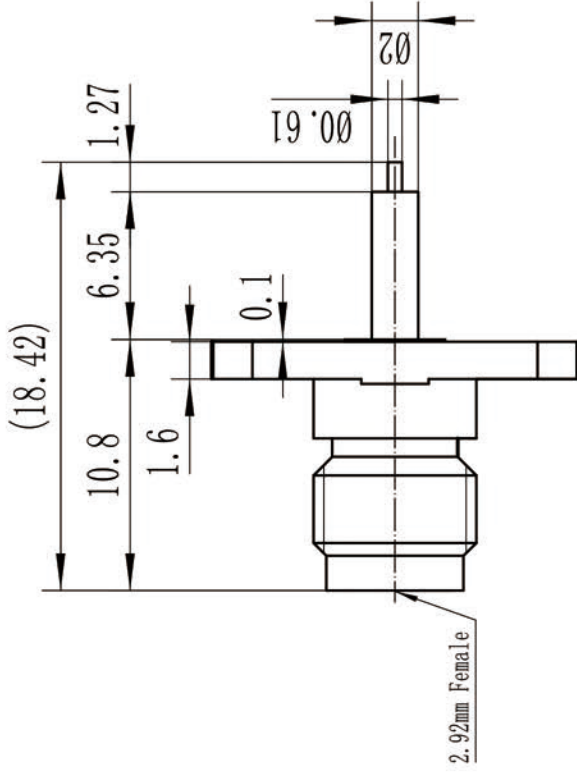
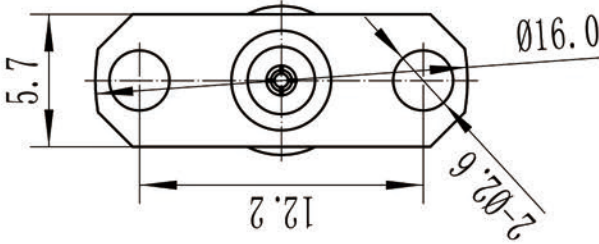


This document contains proprietary information and such information may not be disclosed to others for any purposes, not used for sales/marketing/procurement purposes without written permission

- 1 Electrical
 - 1.1 Impedance: 50 Ω
 - 1.2 Frequency: DC-40GHz
 - 1.3 VSWR: 1.25:1
- 2 Mechanical & Environmental
 - 2.1 Temperature range: -55°C ~ +165°C
 - 2.2 Durability (matings): >500
 - 2.3 RoHS Compliant: Yes
- 3 Material & Finish
 - 3.1 Pin contact: Beryllium-Copper, gold plated
 - 3.2 Body: Stainless Steel (SU303), Passivated
 - 3.3 Insulators: PEI
- 4 Interface Standards
 - 4.1 2.92 MIL-STD-348A



REV	DESCRIPTION OF REVISION	ECN NO.	BY	DATE	APPROVED
A	Initial Release		T. Shihua	01/04/17	01/04/17

Notes:

- 1. ALL SPECIFICATIONS ARE SUBJECT TO CHANGE NOTICE AT ANY TIME
- 2. CUSTOMER OUTLINE DRAWING FOR REFERENCE ONLY

DRAWN : T. Shihua 01/04/17

ENGINEER: C. Tao 01/04/17

APPROVED : W. Qiang 01/04/17

TOLEANCES UNLESS OTHERWISE SPECIFIED
 X +0.50
 XX +0.20
 ANGES ±1°

TITLE:
 RF Coaxial Connector

2.92mm Female Flange Conn. Terminal

PART NO: 2.92-KFD9G



www.rf-connector-china.com



DIMENSION IN MILLIMETERS (mm)

SIZE: A4 SCALE: N/A SUBSET: 1/1 REF: A