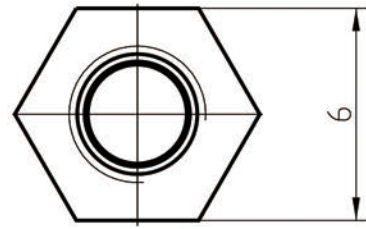
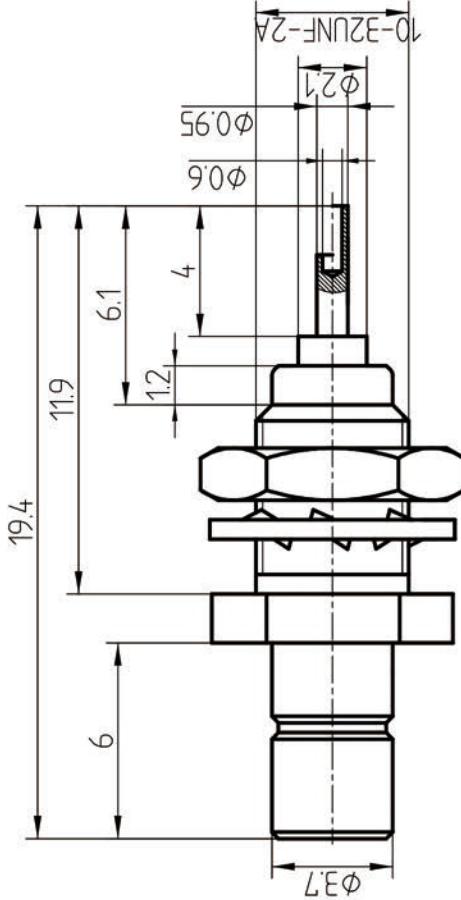


This document contains proprietary information and such information may not be disclosed to others for any purposes, not used for sales/marketing/procurement purposes without written permission

- 1 Electrical
 - 1.1 Impedance: 50 Ω
 - 1.2 Frequency: 0~4GHz
 - 1.3 Working voltage: $\leq 250V$
 - 1.4 Insulation resistance: $\geq 1000M\Omega$
 - 1.5 Dielectric strength: 750V
 - 1.6 Center Contact resistance: $\leq 6m\Omega$
 - 1.7 Outer contact resistance: $\leq 1m\Omega$

- 2 Environmental&Mechanical
 - 2.1 Temperature range: $-45^{\circ}C \sim 85^{\circ}C$
 - 2.2 RoHs Compliant
 - 2.3 Durability: 500 cycles

- 3 Materials&plating
 - 3.1 Inner Contact: Brass, gold plating
 - 3.1 Outer Contact: Brass, gold plated
 - 3.3 Insulators: Teflon
 - 3.4 Hex nut: Brass, gold plating
 - 3.5 Washer: Phosphor bronze, gold plating



Notes:

1. ALL SPECIFICATIONS ARE SUBJECT TO CHANGE NOTICE AT ANY TIME
2. CUSTOMER OUTLINE DRAWING FOR REFERENCE ONLY

REV	DESCRIPTION OF REVISION	ECN NO.	BY	DATE	APPROVED
A	Initial Release		T. Shihua	2/12/14	2/12/14

DRAWN: T. Shihua 2/12/14	TITLE: RF Coaxial Connector
ENGINEER: C. Tao 2/12/14	SMB male Bulkhead conn. Terminal
APPROVED: W. Qi 2/12/14	
TOLERANCES UNLESS OTHERWISE SPECIFIED	
X ±0.50	
.X ±0.20	
.XX ±0.10	
ANGLES ±1°	

QBL www.rf-connector-china.com

DIMENSION IN MILLIMETERS (mm)

SIZE: A4 SCALE: N/A SHEET: 1/1 REV: A