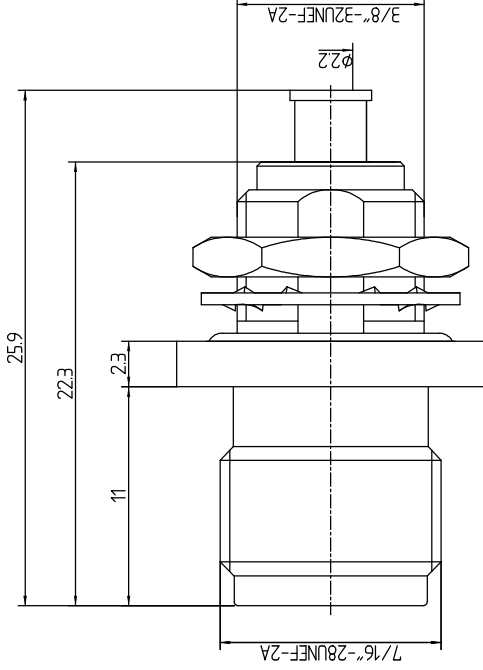


This document contains proprietary information and such information may not be disclosed to others for any purposes, not used for sales/marketing/procurement purposes without written permission

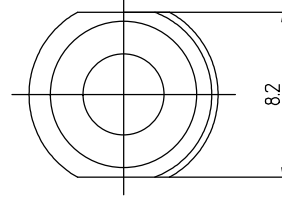
- 1 Electrical
  - 1.1 Impedence 50 Ω
  - 1.2 Frequency DC ~6GHz
  - 1.3 Dielectric withstanding voltage 1500V(volts RMS)
  - 1.4 Center contact resistance  $\leq 1.5M\Omega$
  - 1.5 Outer contact resistance  $\leq 0.2M\Omega$
  - 1.6 Insulation resistance:  $\geq 5000M\Omega$
  - 1.7 VSWR 1.25:1

- 2 Environmental&Mechanical
  - 2.1 Temperature range -40 °C ~ +125 °C
  - 2.2 RoHS Compliant
  - 2.3 Durability  $>500$  cycles

- 3 Materials&plating
  - 3.1 Body: Brass; Suco-plated
  - 3.2 Insulator: Teflon
  - 3.3 Contact Pin: Bronze, Gold plated
  - 3.4 Nut: Brass, Nickel plated
  - 3.5 Gasket: Silicon Rubber ( red color)
  - 3.6 Washer: Brass, Nickel plated



### Recommended Mounting Hole



#### Notes:

1. ALL SPECIFICATIONS ARE SUBJECT TO CHANGE NOTICE AT ANY TIME
2. CUSTOMER OUTLINE DRAWING FOR REFERENCE ONLY

REV	DESCRIPTION OF REVISION	ECN NO.	BY	DATE	APPROVED
A	Initial Release		T. Haiyum	17/05/18	17/05/18

DRAWN: T. Haiyum 17/05/18	<b>TITLE:</b>	
ENGINEER: C. Tao 17/05/18	RF Coaxial Connector	
APPROVED: W. Qiang 17/05/18	TNC Female B/H Conn. for .086/RG405 Cable	
TOLERANCES UNLESS OTHERWISE SPECIFIED	DIMENSION IN MILLIMETERS (mm)	
X ±0.50	SIZE: A4	SCALE: N/A
.X ±0.20	SHEET: 1/1	REV: A
.XX ±0.10	PART NO: TNC-KTB2-F	
ANGLES #°		



www.rf-connector-china.com



DIMENSION IN MILLIMETERS (mm)

SIZE: A4 SHEET: 1/1 REV: A