

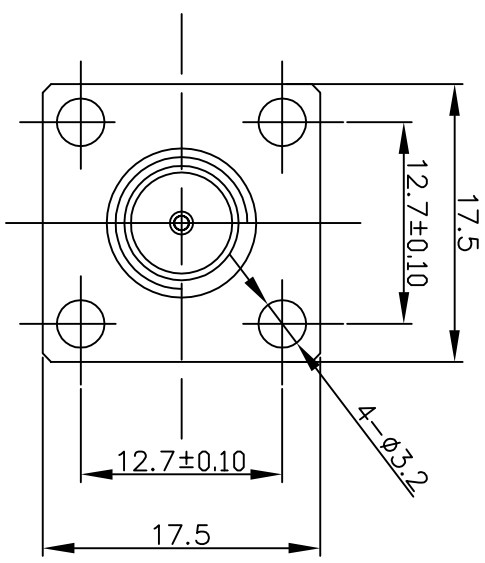
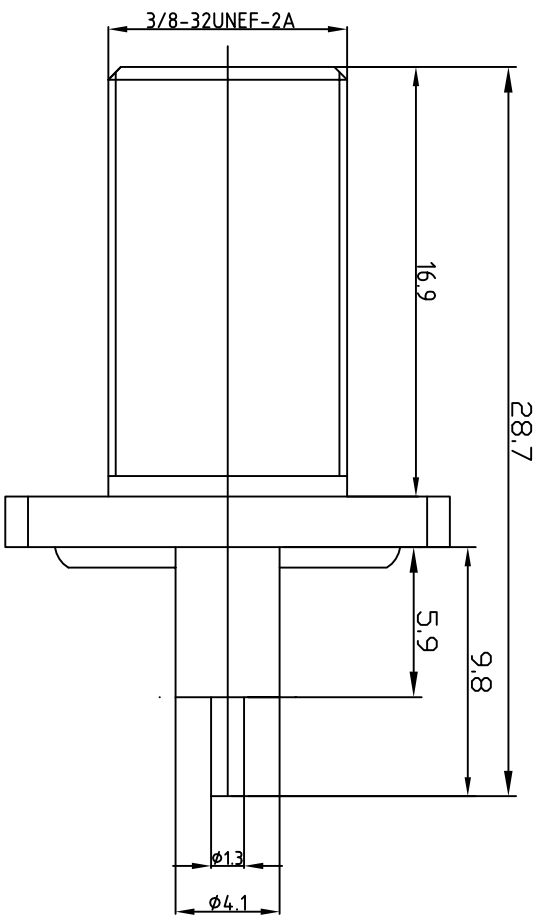
This document contains proprietary information and such information may not be disclosed to others for any purposes, not used for sales/marketing/procurement purposes without written permission

REV	DESCRIPTION OF REVISION	ECN NO.	BY	DATE	APPROVED
A	Initial Release		T.Shihua	02/08/13	02/08/13

- 1 Electrical
 - 1.1 Impedence 75 Ω
 - 1.2 Dielectric withstanding voltage ≥750V(rms)
 - 1.3 Center contact resistance ≤6 MΩ
 - 1.4 Duter contact resistance ≤1 MΩ
 - 1.5 Insulation resistance: ≥1000 MΩ
 - 1.6 VSWR ≤1.30
 - 1.7 Frequency DC-3GHz

- 2 Mechanical and environmental
 - 2.1 Durability 500 cycles
 - 2.2 RoHS Compliant

- 3 Materials & plating
 - 3.1 Body: Brass, Nickel plated
 - 3.2 Insulator: Teflon
 - 3.3 Contact Pin: Phosphor Bronze, Gold plated
 - 3.4 Gasket: Silicon Rubber



Notes:

- 1. ALL SPECIFICATIONS ARE SUBJECT TO CHANGE NOTICE AT ANY TIME
- 2. CUSTOMER OUTLINE DRAWING FOR REFERENCE ONLY

DRAWN: T.Shihua 02/08/13 ENGINEER: C.Too 02/08/13 APPROVED: W.Qiang 02/08/13 TOLERANCES UNLESS OTHERWISE SPECIFIED X ±0.30 XX ±0.20 ANGLE 3°	TITLE: F-75KYPD5 F Type Female B/H Connector for Flange Terminal	 DIMENSION IN MILLIMETERS (mm) www.t-rely.com.cn
PART NO: TRL-FE-9087	SIZE: A4 SCALE: 1:1 SHEET: 1/1 REV: A	