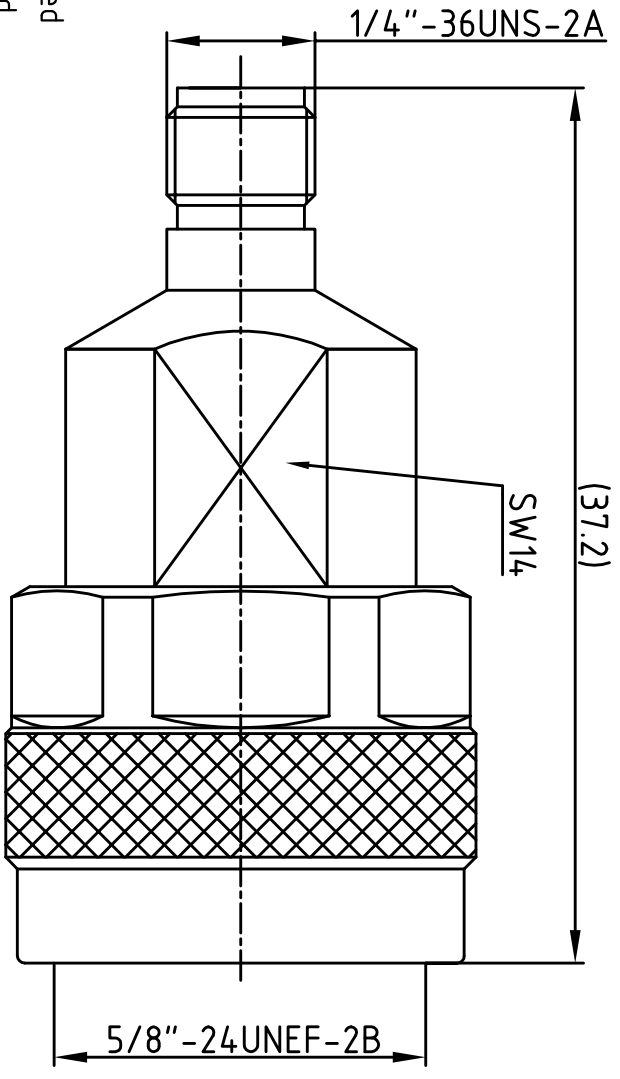


This document contains proprietary information and such information may not be disclosed to others for any purposes, not used for sales/marketing/procurement purposes without written permission

REV	DESCRIPTION OF REVISION	ECN NO.	BY	DATE	APPROVED
A	Initial Release		T.Shihua	1/8/14	1/8/14



- 1 Electrical
  - 1.1 Impedance: 50Ω
  - 1.2 Frequency: DC-18GHz
  - 1.3 VSWR: 1.25:1

- 2 Mechanical&Environmental
  - 2.1 Temperature range -55°C ~+165°C
  - 2.2 Durability(matings) >500
  - 2.3 RoHs Compliant Yes

- 3 Material&Finish
  - 3.1 Pin contact: Beryllium-Copper, gold plated
  - 3.2 Body: Stainless Steel(SU303), Passivated
  - 3.3 Insulators: PEI

- 4 Interface Standards
  - 4.1 3.5 IECC60169
  - 4.2 N MIL-STD-348A

Notes:

- 1. ALL SPECIFICATIONS ARE SUBJECT TO CHANGE NOTICE AT ANY TIME
- 2. CUSTOMER OUTLINE DRAWING FOR REFERENCE ONLY

DRAWN: T.Shihua 1/8/14 ENGINEER: C.Too 1/8/14 APPROVED: W.Qiang 1/8/14 <small>TOLERANCES UNLESS OTHERWISE SPECIFIED</small> X .010 XX .005 ANGLES 45°	TITLE: Precision Adapter N Male to 3.5 Female PART NO: N/3.5-JKG SIZE: A4 SCALE: N/A SHEET: 1/1 REV: A
 www.terullal.com DIMENSION IN MILLIMETERS (mm)	