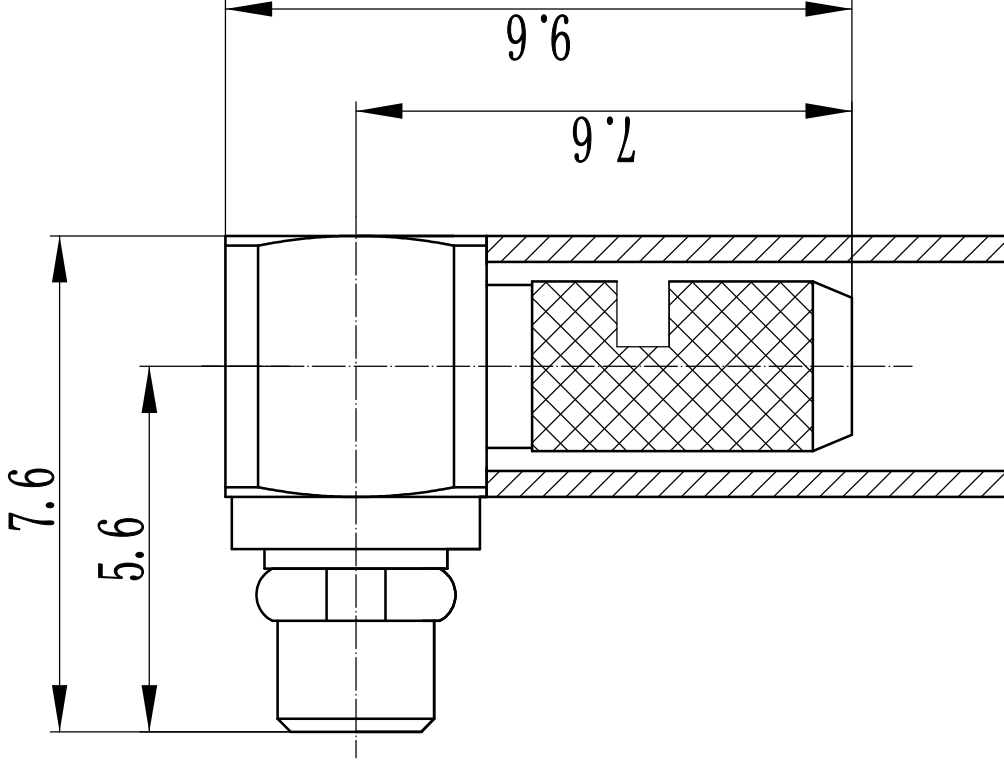


This document contains proprietary information and such information may not be disclosed to others for any purposes, not used for sales/marketing/procurement purposes without written permission





- 1 Electrical
 - 1.1 Impedance: 50 Ω
 - 1.2 Frequency: 0-6GHz
 - 1.3 Working voltage: $\leq 170V$
 - 1.4 Insulation resistance: $\geq 1000M\Omega$
 - 1.5 Dielectric withstanding voltage: 500V
 - 1.6 Center contact resistance $\leq 10M\Omega$
 - 1.7 Outer contact resistance $\leq 5M\Omega$
 - 1.8 VSWR: 1.30:1
- 2 Material&Finish
 - 2.1 Inner Contact: Brass, gold plated
 - 2.2 Outer Contact: brass,gold plated
 - 2.3 Insulators: Teflon
 - 2.4 C-ring: Beryllium-copper,gold plated

REV	DESCRIPTION OF REVISION	ECN NO.	BY	DATE	APPROVED
A	Initial Release		T. Shihua	12/7/06	12/7/06

DRAWN: T. Shihua 12/07/06
ENGINEER: C. Tao 12/07/06
APPROVED: W. Qiang 12/07/06
TOLERANCES UNLESS OTHERWISE SPECIFIED
X +0.50
.X +0.20
.XX +0.10
ANGLES *°

TITLE:	
RF Coaxial Connector	
MMCX Male Right Angle Conn.	
For RG316 cable	
PART NO: MMCX-JWSF	

		www.rf-connector-china.com	
		DIMENSION IN MILLIMETERS (mm)	
SIZE: A4	SCALE: N/A	SHEET: 1/1	REV: A

Notes:

1. ALL SPECIFICATIONS ARE SUBJECT TO CHANGE NOTICE AT ANY TIME
2. CUSTOMER OUTLINE DRAWING FOR REFERENCE ONLY