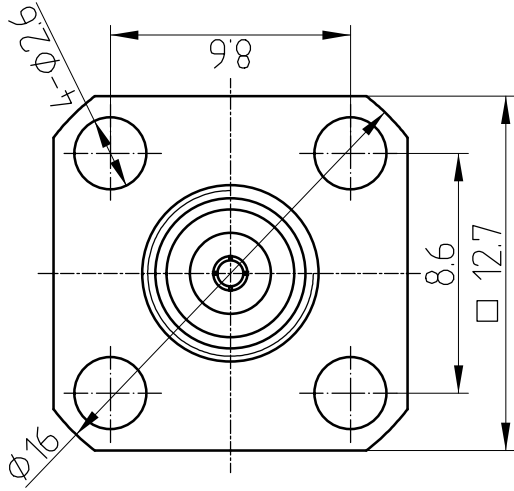


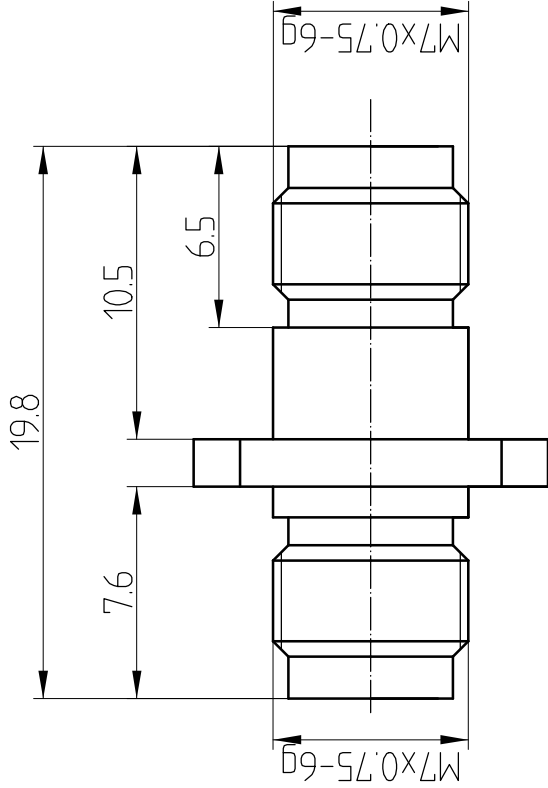
This document contains proprietary information and such information may not be disclosed to others for any purposes, not used for sales/marketing/procurement purposes without written permission



- 1 Electrical
 - 1.1 Impedance: 50 Ω
 - 1.2 Frequency: DC-50GHz
 - 1.3 VSWR: 1.3:1
- 2 Mechanical & Environmental
 - 2.1 Temperature range: -45°C ~ +125°C
 - 2.2 Durability (matings): >500
 - 2.3 RoHS Compliant: Yes
- 3 Material & Finish
 - 3.1 Pin contact: Beryllium-Copper, gold plated
 - 3.2 Body: Stainless Steel (SUS303), Passivated
 - 3.3 Insulators: PEI

- Notes:**
- 4 Interface Standards
 - 4.1 2.4 IEEE STD 287-2007

1. ALL SPECIFICATIONS ARE SUBJECT TO CHANGE NOTICE AT ANY TIME
 2. CUSTOMER OUTLINE DRAWING FOR REFERENCE ONLY



REV	DESCRIPTION OF REVISION	ECN NO.	BY	DATE	APPROVED
A	Initial Release		T. Shihua	1/8/14	1/8/14

DRAWN: T. Shihua 1/8/14		TITLE: Precision Adapter	
ENGINEER: C. Tao 1/8/14		www.rf-conector-china.com	
APPROVED: W. Qiang 1/8/14		DIMENSION IN MILLIMETERS (mm)	
TOLERANCES UNLESS OTHERWISE SPECIFIED		SCALE: N/A	
X	+0.50	SHEET: 1/1	
.X	+0.20	REV: A	
.XX	+0.10	SIZE: A4	
ANGLES	*°	PART NO: 2.4-KFKG	