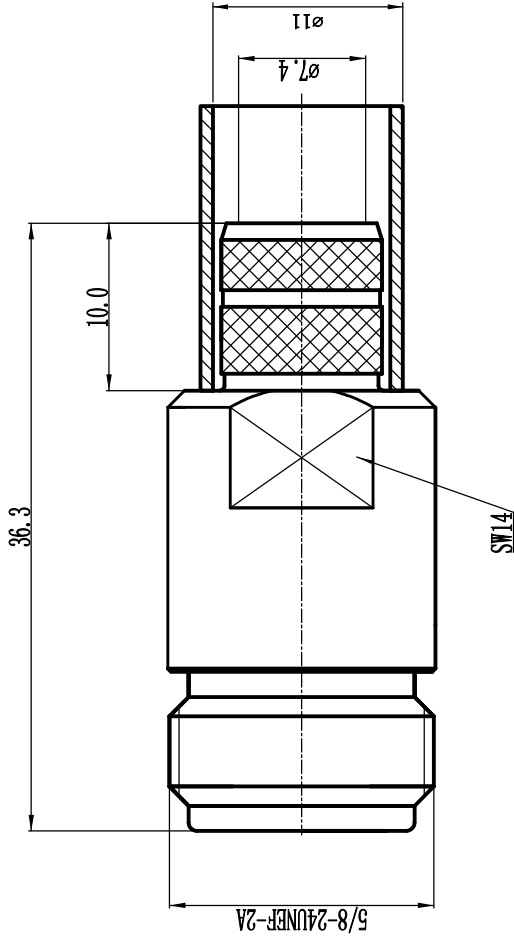
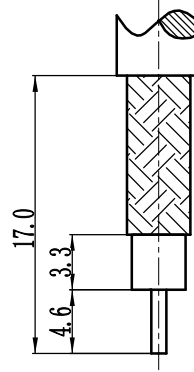


This document contains proprietary information and such information may not be disclosed to others for any purposes, not used for sales/marketing/procurement purposes without written permission



Recommended Cable Stripping Dimension



- 1 Electrical
 - 1.1 Impedence 50 Ω
 - 1.2 Frequency 0~6GHz
 - 1.3 VSWR 1.30:1
- 2 Environmental&Mechanical
 - 2.1 Temperature range -45°C~125°C
 - 2.2 RoHs Compliant
 - 2.3 Durability >500 cycles
- 3 Materials&plating
 - 3.1 Body: Brass, nickel plated
 - 3.2 Insulator: Teflon
 - 3.3 Contact Pin: Bronze, Gold plated

REV	DESCRIPTION OF REVISION	ECN NO.	BY	DATE	APPROVED
A	Initial Release		T. Shihua	07/04/16	07/04/16

DRAWN: T. Shihua 07/04/16		TITLE: RF Coaxial Connector	
ENGINEER: C. Tao 07/04/16		www.rf-connector-china.com	
APPROVED: W. Qiang 07/04/16		DIMENSION IN MILLIMETERS (mm)	
TOLERANCES UNLESS OTHERWISE SPECIFIED		SCALE: N/A	
X ±0.50		SHEET: 1/1	
.X ±0.20		REV: A	
.XX ±0.10			
ANGLES ±1°			
PART NO: N-K400Y			

Notes:

1. ALL SPECIFICATIONS ARE SUBJECT TO CHANGE NOTICE AT ANY TIME
2. CUSTOMER OUTLINE DRAWING FOR REFERENCE ONLY