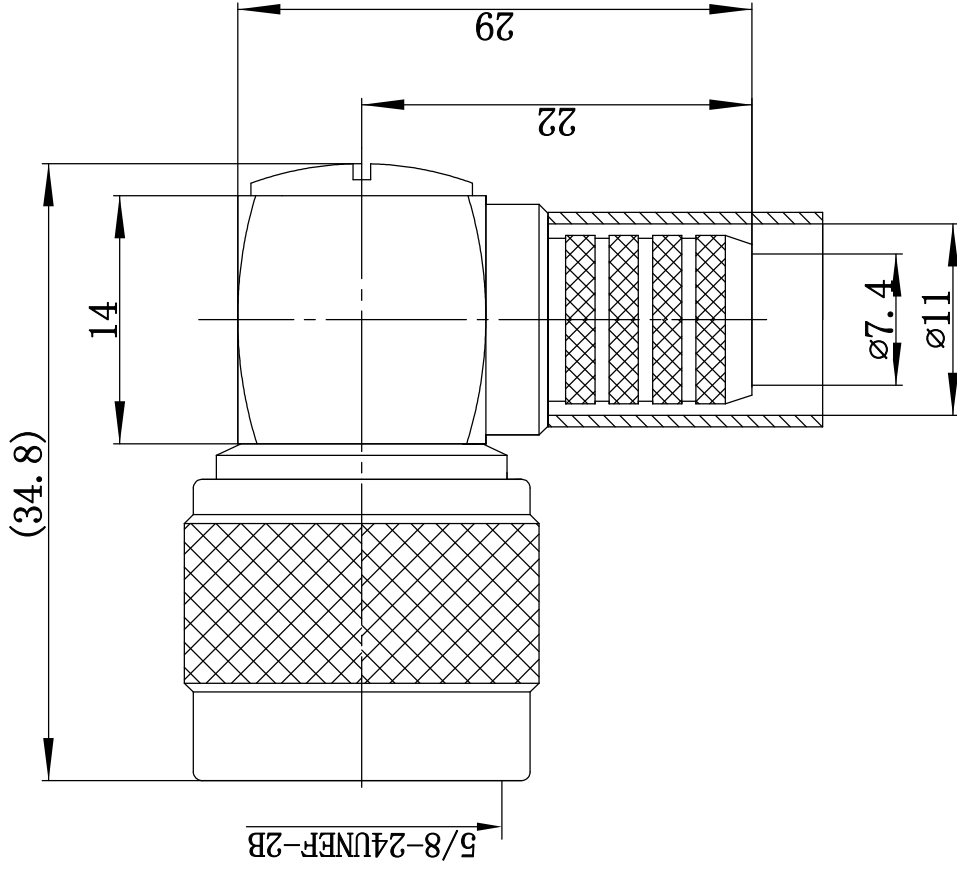


This document contains proprietary information and such information may not be disclosed to others for any purposes, not used for sales/marketing/procurement purposes without written permission

- 1 Electrical
 - 1.1 Impedance 50 Ω
 - 1.2 Frequency DC~6GHz
 - 1.3 VSWR 1.30:1
- 2 Environmental&Mechanical
 - 2.1 Temperature range -40℃~125℃
 - 2.2 RoHS Compliant
 - 2.3 Durability >500 cycles
- 3 Materials&plating
 - 3.1 Body: Brass, Nickel plated
 - 3.2 Insulator: Teflon
 - 3.3 Contact Pin: Brass, Gold plated
 - 3.4 Ferrule: Copper, Nickel plated
 - 3.5 Coupling nut: Brass, Nickel plated



REV	DESCRIPTION OF REVISION	ECN NO.	BY	DATE	APPROVED
A	Initial Release		T. Shihua	21/04/2021	21/04/2021

DRAWN: T. Shihua 21/04/2021		TITLE: RF Coaxial Connector	
ENGINEER: C. Tao 21/04/2021		www.rf-connector-china.com	
APPROVED: W. Qiang 21/04/2021		DIMENSION IN MILLIMETERS (mm)	
TOLERANCES UNLESS OTHERWISE SPECIFIED		SCALE: N/A	
X ±0.50		SHEET: 1/1	
.X ±0.20		REV: A	
.XX ±0.10		SIZE: A4	
ANGLES ±1°		PART NO: N-JW400Y	

Notes:
 1. ALL SPECIFICATIONS ARE SUBJECT TO CHANGE NOTICE AT ANY TIME
 2. CUSTOMER OUTLINE DRAWING FOR REFERENCE ONLY