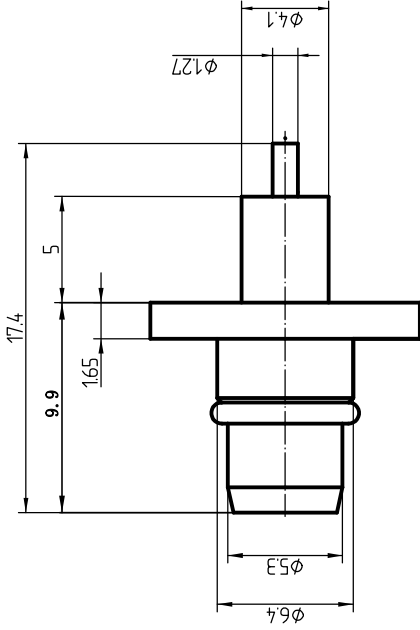
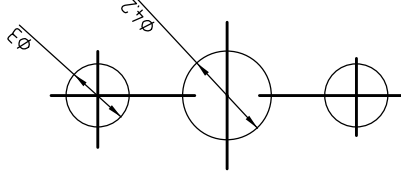


This document contains proprietary information and such information may not be disclosed to others for any purposes, not used for sales/marketing/procurement purposes without written permission



## Mounting Hole



### 1 Electrical

- 1.1 Impedence 50Ω
- 1.2 Frequency DC~18GHz
- 1.3 Dielectric withstanding voltage 750V(rms)
- 1.4 Center contact resistance ≤3 MΩ
- 1.5 Outer contact resistance ≤2 MΩ
- 1.6 Insulation resistance: ≥5000 MΩ
- 1.7 VSWR ≤1.25:1

### 2 Material&Finish

- 2.1 Body: Stainless Steel, Passivated
- 2.2 Insulator: Teflon
- 2.3 Center Pin: Brass, Gold Plated

### Notes:

- 1. ALL SPECIFICATIONS ARE SUBJECT TO CHANGE NOTICE AT ANY TIME
- 2. CUSTOMER OUTLINE DRAWING FOR REFERENCE ONLY

REV	DESCRIPTION OF REVISION	ECN NO.	BY	DATE	APPROVED
A	Initial Release		T. Shihua	01/07/16	01/07/16

DRAWN: T. Shihua 01/07/16		TITLE: RF Coaxial Connector	
ENGINEER: C. Tao 01/07/16		www.rf-connector.china.com	
APPROVED: W. Qiang 01/07/16		RF Coaxial Connector	
TOLERANCES UNLESS OTHERWISE SPECIFIED		BMA Male Flange Conn. Terminal	
X	+0.50	DIMENSION IN MILLIMETERS (mm)	
X	+0.20	SCALE: N/A	
XX	+0.10	SIZE: A4	
ANGLES *°		SHEET: 1/1	
PART NO: BMA-JFD3G		REV: A	

