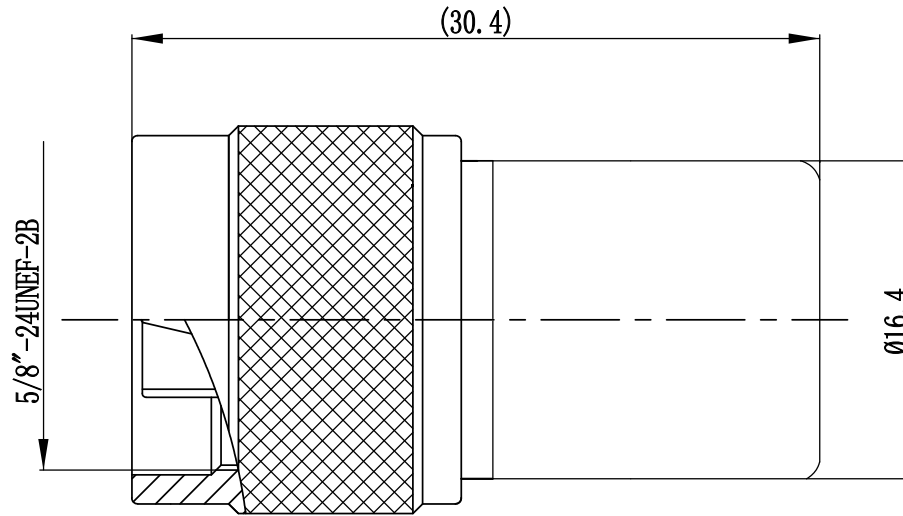


This document contains proprietary information and such information may not be disclosed to others for any purposes,
not used for sales/marketing/procurement purposes without written permission

REV	DESCRIPTION OF REVISION	ECN NO.	BY	DATE	APPROVED
A	Initial Release	—	T.Haiyun	11/08/17	11/08/17

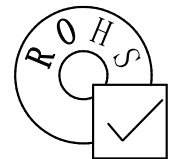


1 Electrical

- 1.1 Impedance: 50Ω
- 1.2 Frequency: DC ~6GHz
- 1.3 VSWR ≤ 1.25
- 1.4 Power $\leq 5W$



2 Materials & Finish

- 2.1 Inner Contact: Brass, gold plated
- 2.2 Outer Contact: Brass, Nickel plated
- 2.3 Insulators: PTFE



Notes:

- 1. ALL SPECIFICATIONS ARE SUBJECT TO CHANGE NOTICE AT ANY TIME
- 2. CUSTOMER OUTLINE DRAWING FOR REFERENCE ONLY

DRAWN: T.Haiyun 11/08/17 ENGINEER: C.Tao 11/08/17 APPROVED: W.Qiang 11/08/17	TITLE: RF Termination N male Conn. Termination	 www.trf.com
TOLERANCES UNLESS OTHERWISE SPECIFIED X ± 0.50 .X ± 0.20 .XX ± 0.10 ANGLES $\pm 1^\circ$	PART NO: N-50JR-5W	DIMENSION IN MILLIMETERS (mm) 
SIZE: A4	SCALE: N/A	SHEET: 1/1
REV: A		