

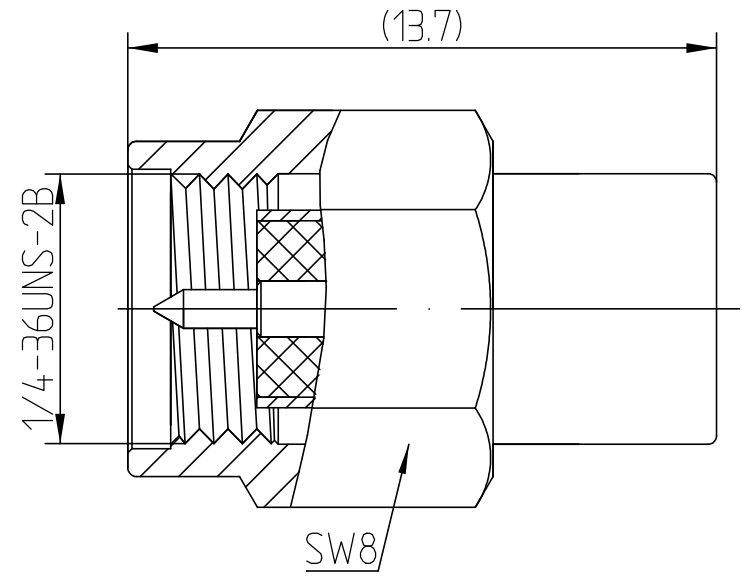
This document contains proprietary information and such information may not be disclosed to others for any purposes, not used for sales/marketing/procurement purposes without written permission

REV	DESCRIPTION OF REVISION	ECN NO.	BY	DATE	APPROVED
A	Initial Release	—	T. Haiyun	23/5/14	23/5/14


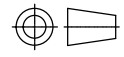
1 Electrical  
 1.1 Impedence 50 Ω  
 1.2 Frequency DC ~6GHz  
 1.3 Dielectric withstanding voltage 1000V(volts RMS)  
 1.4 Center contact resistance ≤ 3M Ω  
 1.5 Outer contact resistance ≤ 2M Ω  
 1.6 Insulation resistance: ≥5000M Ω  
 1.7 VSWR 1.15:1

2 Environmental&Mechanical  
 2.1 Temperature range -40℃ ~+70℃  
 2.2 RoHs Compliant  
 2.3 Durability >500 cycles

3 Materials&plating  
 3.1 Body: Brass; gold plated  
 3.2 Insulator: Teflon  
 3.3 Contact Pin: Bronze, gold plated  
 3.4 Nut: Stainless Steel Passivated



Notes:  
 1. ALL SPECIFICATIONS ARE SUBJECT TO CHANGE NOTICE AT ANY TIME  
 2. CUSTOMER OUTLINE DRAWING FOR REFERENCE ONLY

DRAWN: T. Haiyun 25/5/14	TITLE: <b>TERMINATION</b> SMA Male Conn. Termination	 <a href="http://www.tri-rf.com">www.tri-rf.com</a>			
ENGINEER: C. Tao 25/5/14					
APPROVED: W. Qiang 25/5/14		 DIMENSION IN MILLIMETERS (mm)			
TOLERANCES UNLESS OTHERWISE SPECIFIED X ±0.50 X ±0.20 XX ±0.10 ANGLES ±1°	PART NO: <b>SMA-50JRG</b>	SIZE: A4	SCALE: N/A	SHEET: 1/1	REV: A