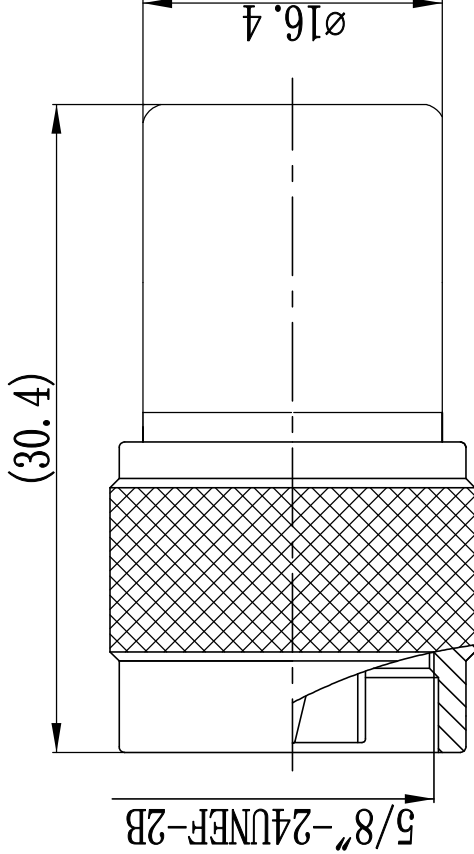


This document contains proprietary information and such information may not be disclosed to others for any purposes, not used for sales/marketing/procurement purposes without written permission

- 1 Electrical
  - 1.1 Impedence 50 Ω
  - 1.2 Frequency DC ~6GHz
  - 1.3 Dielectric withstanding voltage 1000V (vatis RMS)
  - 1.4 Center contact resistance  $\leq 3M\Omega$
  - 1.5 Outer contact resistance  $\leq 2M\Omega$
  - 1.6 Insulation resistance:  $\geq 5000M\Omega$
  - 1.7 VSWR 1.20:1
  - 1.8 Power  $\leq 2W$

- Environmental & Mechanical
  - 2.1 Temperature range -40°C ~ +85°C
  - 2.2 RoHS Compliant
  - 2.3 Durability >500 cycles

- 3 Materials & Plating
  - 3.1 Body: Brass, Gold plated
  - 3.2 Insulator: Teflon
  - 3.3 Contact Pin: Bronze, gold plated
  - 3.4 Housing: Brass, nickel plated
  - 3.5 Coupling nut: Brass, nickel plated
  - 3.6 Gasket: Silicone Rubber (Red)



REV	DESCRIPTION OF REVISION	ECN NO.	BY	DATE	APPROVED
A	Initial Release		T.Haiym	12/1/12	12/1/12

Notes:

- 1. ALL SPECIFICATIONS ARE SUBJECT TO CHANGE NOTICE AT ANY TIME
- 2. CUSTOMER OUTLINE DRAWING FOR REFERENCE ONLY

DRAWN: T.Haiym 12/1/12 ENGINEER: C.Tao 12/1/12 APPROVED: H.Qiang 12/1/12 TOLERANCES UNLESS OTHERWISE SPECIFIED X ±0.50 .X ±0.20 .XX ±0.10 ANGLES ±1°	<b>TITLE:</b> <b>RF TERMINATION</b> N Male Conn. Termination 2 Watts		<a href="http://www.rf-connector-china.com">www.rf-connector-china.com</a>
PART NO: H-60UR-2W	DIMENSION IN MILLIMETERS (mm)		SCALE: N/A
SIZE: A4	SHEET: 1/1	REV: A	