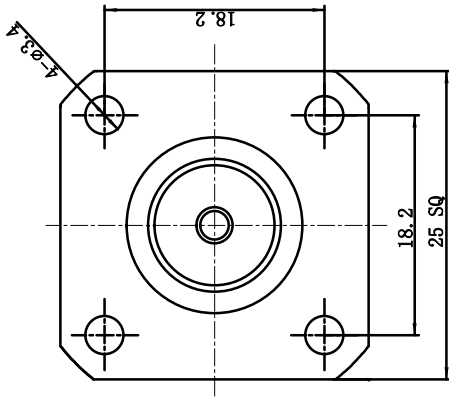
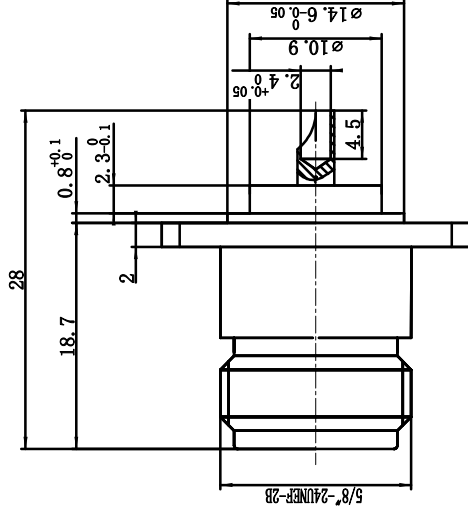


This document contains proprietary information and such information may not be disclosed to others for any purposes, not used for sales/marketing/promocement purposes without written permission

REV	DESCRIPTION OF REVISION	TTL NO.	BY	DATE	APPROVED
A	Initial Release		T. Shihua	18/7/08	18/7/08



- 1 Electrical
 - 1.1 Impedence 50 Ω
 - 1.2 Frequency DC~2GHz
 - 1.2 Dielectric withstanding voltage 1500V (volts RMS)
 - 1.3 Center contact resistance $\leq 1M\Omega$
 - 1.4 Outer contact resistance $\leq 0.2M\Omega$
 - 1.5 Insulation resistance: $\geq 5000M\Omega$
 - 1.6 VSWR 1.15:1
- 2 Environmental&Mechanical
 - 2.1 Temperature range -40°C~+125°C
 - 2.2 RoHS Compliant
 - 2.3 Durability >500 cycles
- 3 Materials&plating
 - 3.1 Body: Brass, Tri-Metal plated
 - 3.2 Insulator: Teflon
 - 3.3 Contact Pin: Beryllium-copper, Gold plated



Notes:

1. ALL SPECIFICATIONS ARE SUBJECT TO CHANGE NOTICE AT ANY TIME
2. CUSTOMER OUTLINE DRAWING FOR REFERENCE ONLY

DRAWN: T. Shihua 18/7/08	TITLE: RF Coaxial Connector	
ENGINEER: C. Tao 18/7/08	N Female Connector Flange Mounting	
APPROVED: W. Qiang 18/7/08	SCALE: N/A	
TOLERANCES UNLESS OTHERWISE SPECIFIED	DIMENSION IN MILLIMETERS (mm)	
X ±0.50	SIZE: A4	
.X ±0.20	SHEET: 1/1	
.XX ±0.10	REV: A	
ANGLES ±1°	PART NO: N-50KF-B	



www.rf-conne.com-china.com



DIMENSION IN MILLIMETERS (mm)

SCALE: N/A

SIZE: A4

SHEET: 1/1

REV: A