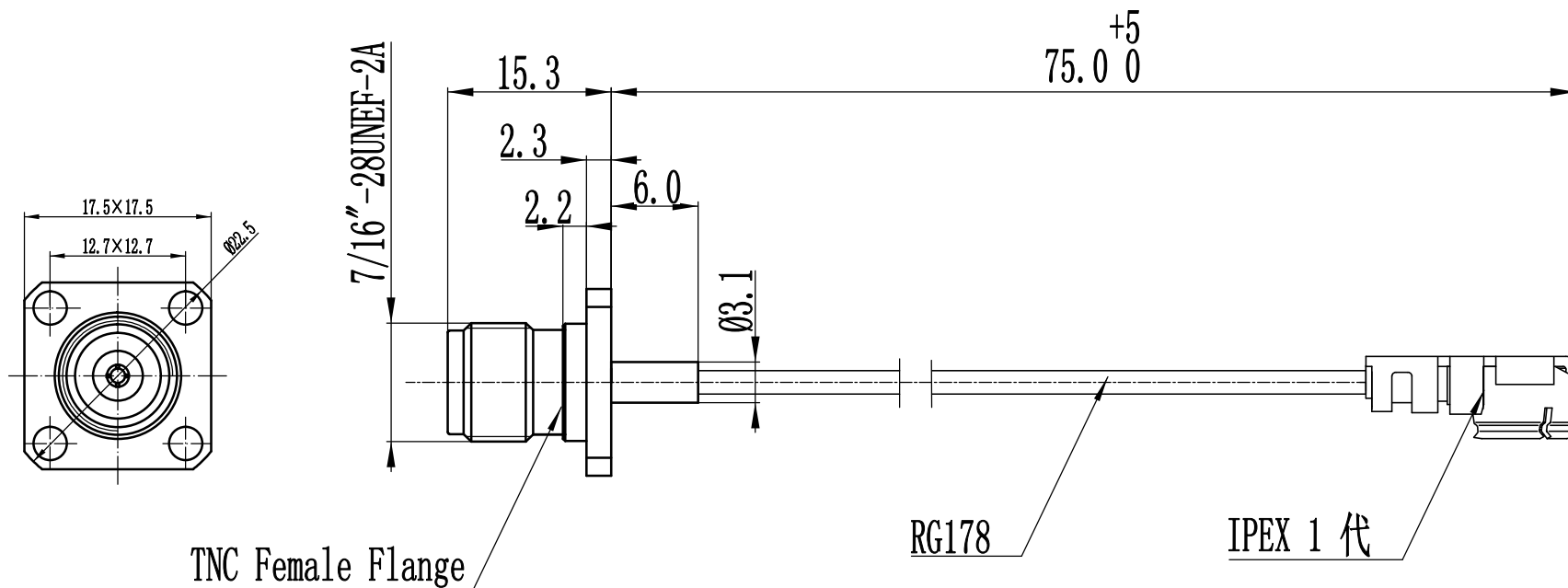
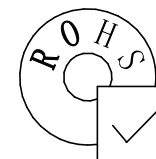


This document contains proprietary information and such information may not be disclosed to others for any purposes, not used for sales/marketing/procurement purposes without written permission

REV	DESCRIPTION OF REVISION	ECN NO.	BY	DATE	APPROVED
A	Initial Release	—	T. Shihua	03/11/17	03/11/17



- 1 电气性能
- 1.1 特性阻抗 50 Ω
 - 1.2 频率 DC~3GHz
 - 1.3 介质耐压 500V
 - 1.4 驻波比 1.30:1



Notes:

- 1. ALL SPECIFICATIONS ARE SUBJECT TO CHANGE NOTICE AT ANY TIME
- 2. CUSTOMER OUTLINE DRAWING FOR REFERENCE ONLY

DRAWN: T. Shihua 03/11/17 ENGINEER: C. Tao 03/11/17 APPROVED: W. Qiang 03/11/17 TOLERANCES UNLESS OTHERWISE SPECIFIED X ±0.50 .X ±0.20 .XX ±0.10 ANGLES ±1°	TITLE: Cable assembly TNC Female Flange to IpeX for RG178 Cable	 www.trl-rf.com DIMENSION IN MILLIMETERS (mm)		
PART NO: TRL-TNCFP-178-IPEX-75	SIZE: A4	SCALE: N/A	SHEET: 1/1	REV: A