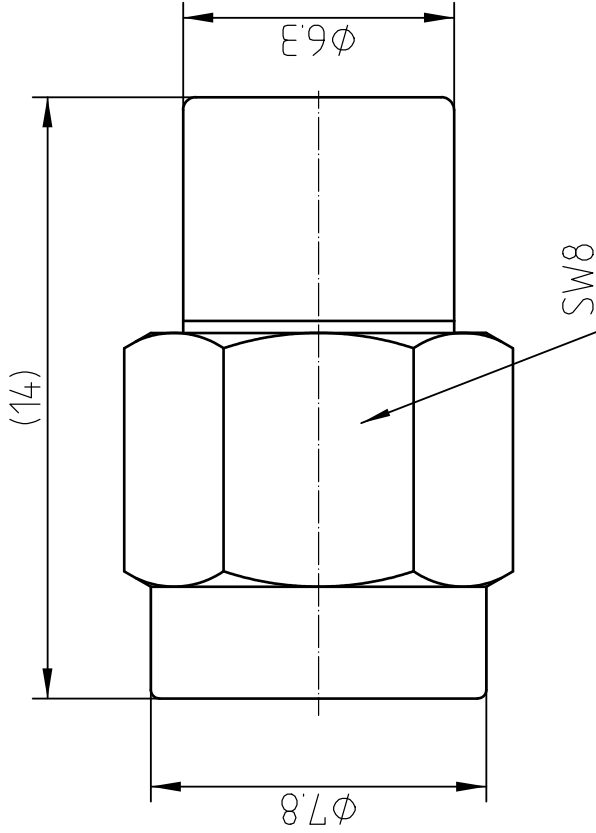


This document contains proprietary information and such information may not be disclosed to others for any purposes, not used for sales/marketing/procurement purposes without written permission



1 Electrical

- 1.1 Impedance 50  $\Omega$
- 1.2 Frequency DC ~ 18GHz
- 1.3 VSWR 1.25:1

2 Environmental & Mechanical

- 2.1 Temperature range -40 $^{\circ}$ C ~ +125 $^{\circ}$ C
- 2.2 RoHS Compliant
- 2.3 Durability >500 cycles

3 Materials & plating


- 3.1 Body: Brass; gold plated
- 3.2 Insulator: Teflon
- 3.3 Contact Pin: Bronze, gold plated
- 3.4 Coupling Nut: Stainless Steel Passivated

REV	DESCRIPTION OF REVISION	ECN NO.	BY	DATE	APPROVED
A	Initial Release		T. Haiyuu	23/5/14	23/5/14


Notes:

- 1. ALL SPECIFICATIONS ARE SUBJECT TO CHANGE NOTICE AT ANY TIME
- 2. CUSTOMER OUTLINE DRAWING FOR REFERENCE ONLY

DRAWN : T. Haiyuu 25/5/14	TITLE: RF TERMINATION
ENGINEER : C. Tao 25/5/14	SMA Male Conn. Termination 1W
APPROVED : W. Qiangu 25/5/14	PART NO: SMA-50JRBG
TOLERANCES UNLESS OTHERWISE SPECIFIED	SIZE: A4
X ±0.50	SCALE: N/A
.X ±0.20	SHEET: 1/1
.XX ±0.10	REV: A
ANGLES *°	



www.qpl.com



DIMENSION IN MILLIMETERS (mm)