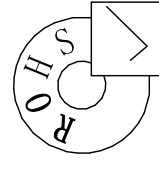
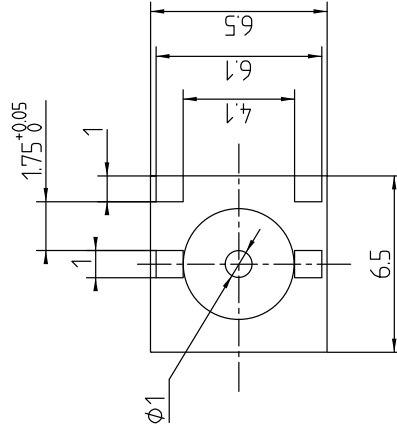
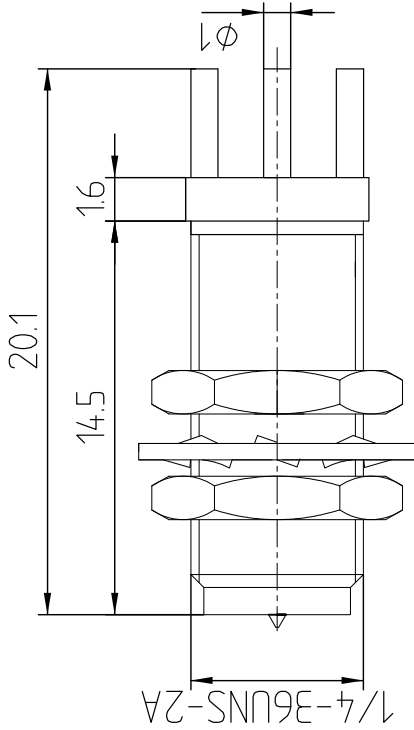


This document contains proprietary information and such information may not be disclosed to others for any purposes, not used for sales/marketing/procurement purposes without written permission

REV	DESCRIPTION OF REVISION	ECN NO.	BY	DATE	APPROVED
A	Initial Release		T. Shihua	01/09/15	01/09/15



1. Electrical
 - 1.1 Impedance: 50ohm
 - 1.2 Frequency: DC-6GHz
 - 1.3 VSWR: 1.20:1
 - 1.4 Insulation resistance: $\geq 5000M\Omega$
 - 1.5 Dielectric withstanding voltage: 500V(rms)
 - 1.6 Center Contact resistance $\leq 3M\Omega$
 - 1.7 Outer contact $\leq 2M\Omega$
2. Material&Finish
 - 2.1 Inner Contact: Beryllium copper, gold plated
 - 2.2 Outer Contact: brass, gold plated
 - 2.3 Insulators: PTFE

DRAWN : T. Shihua 01/09/15		TITLE:	
ENGINEER: C. Tao 01/09/15		RF Coaxial Connector	
APPROVED : W. Qiang 01/09/15		RPSMA Female Bulkhead Conn. for PCB	
TOLERANCES UNLESS OTHERWISE SPECIFIED		DIMENSION IN MILLIMETERS (mm)	
X	+0.50		
.X	+0.20		
.XX	+0.10		
ANGLES *°		SIZE: A4	SCALE: N/A
PART NO: RPSMA-JYHDC6		SHEET: 1/1	REV: A

Notes:

1. ALL SPECIFICATIONS ARE SUBJECT TO CHANGE NOTICE AT ANY TIME
2. CUSTOMER OUTLINE DRAWING FOR REFERENCE ONLY