

This document contains proprietary information and such information may not be disclosed to others for any purposes, not used for sales/marketing/procurement purposes without written permission

REV	DESCRIPTION OF REVISION	ECN NO.	BY	DATE	APPROVED
A	Initial Release		T.HoJyun	21/05/08	21/05/08

**1 Electrical**

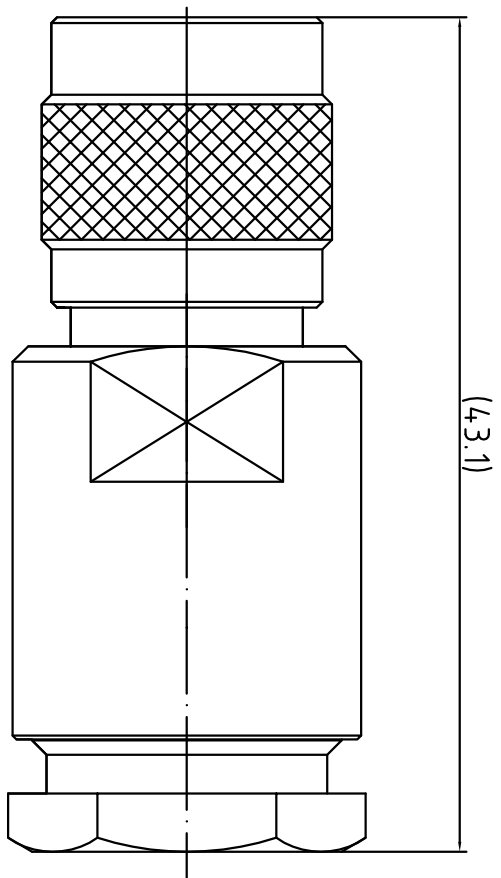
- 1.1 Impedence: 50Ω
- 1.2 Frequency: DC~3GHz
- 1.3 Dielectric withstanding voltage: 1500V(volts RMS)
- 1.4 Center contact resistance: ≤ 1.5MΩ
- 1.5 Outer contact resistance: ≤ 0.2MΩ
- 1.6 Insulation resistance: ≥5000MΩ

**2 Environmental&Mechanical**

- 2.1 Temperature range: -40℃~+70℃
- 2.2 RoHS Compliant
- 2.3 Durability: >500 cycles

**3 Materials&plating**

- 3.1 Body: Brass, Nickel plated
- 3.2 Insulator: Teflon
- 3.3 Contact Pin: Brass, Gold plated
- 3.4 Nut: Brass, Nickel plated
- 3.5 Gasket: Silicon Rubber ( red color)
- 3.6 Washer: Brass, Nickel plated



**Notes:**

- 1. ALL SPECIFICATIONS ARE SUBJECT TO CHANGE NOTICE AT ANY TIME
- 2. CUSTOMER OUTLINE DRAWING FOR REFERENCE ONLY

DRAWN: T.HoJyun 21/05/08
ENGINEER: C.Too 21/05/08
APPROVED: W.Qiang 21/05/08
TOLERANCES UNLESS OTHERWISE SPECIFIED
X 0.150
.X 0.20
.XX 0.30
ANGLES 3°

TITLE:	TNC-J400A
	TNC Male Conn. for LMR400
	Cable Clamp (PUSH FIT)
PART NO:	TRL-TNCM-236508

	SIZE: A4	SCALE: N/A	SHEET: 1/1	REV: A
	DIMENSION IN MILLIMETERS (mm)			
www.terillal.com				