

This document contains proprietary information and such information may not be disclosed to others for any purposes, not used for sales/marketing/procurement purposes without written permission

- 1 Electrical
  - 1.1 Impedance: 50 Ω
  - 1.2 Frequency: DC-40GHz
  - 1.3 VSWR: 1.20:1
  - 1.4 Insertion Loss: 0.3dB Max

2 Mechanical&Environmental

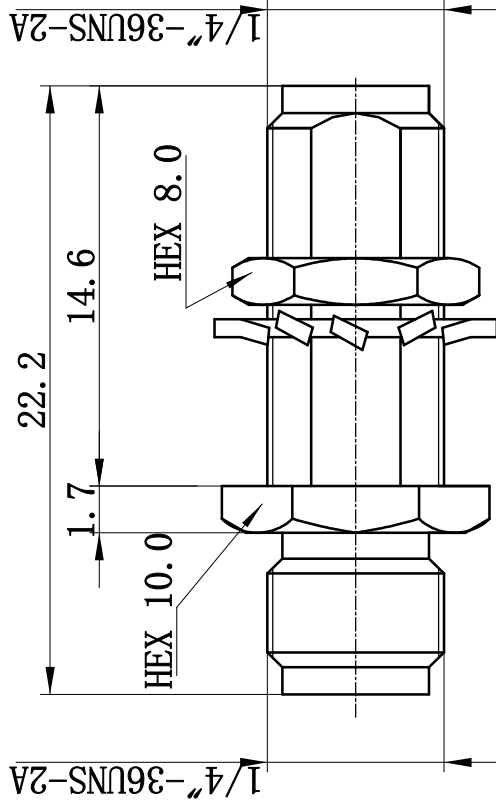
- 2.1 Temperature range -45° C ~+125° C
- 2.2 Durability(matings) >500
- 2.3 RoHs Compliant Yes

3 Material&Finish

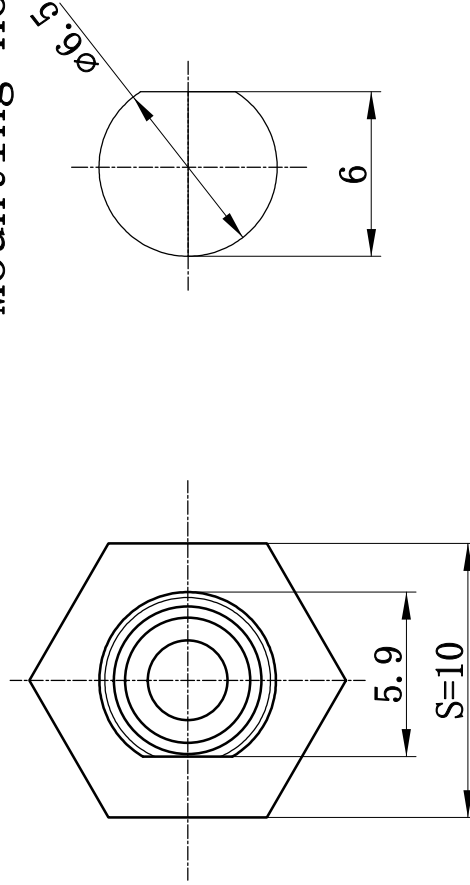
- 3.1 Pin contact: Beryllium-Copper, gold plated
- 3.2 Body: Stainless Steel (SU303), Passivated
- 3.3 Insulators: PEI

4 Interface Standards

- 4.1 2.92 MIL-STD-348A



Mounting Hole



Notes:

1. ALL SPECIFICATIONS ARE SUBJECT TO CHANGE NOTICE AT ANY TIME
2. CUSTOMER OUTLINE DRAWING FOR REFERENCE ONLY

REV	DESCRIPTION OF REVISION	ECN NO.	BY	DATE	APPROVED
A	Initial Release		T. Shihua	1/8/14	1/8/14

DRAWN: T. Shihua 1/8/14		TITLE:	
ENGINEER: C. Tao 1/8/14		Precision Adapter	
APPROVED: W. Qiang 1/8/14		2.92 Female to 2.92 Female	
TOLERANCES UNLESS OTHERWISE SPECIFIED		Bulkhead Adapter	
X	±0.50	SCALE: N/A	
.X	±0.20	SHEET: 1/1	
.XX	±0.10	REV: A	
ANGLES	±1°	PART NO: 2.92-KYKG	

www.teruilai.com	
DIMENSION IN MILLIMETERS (mm)	