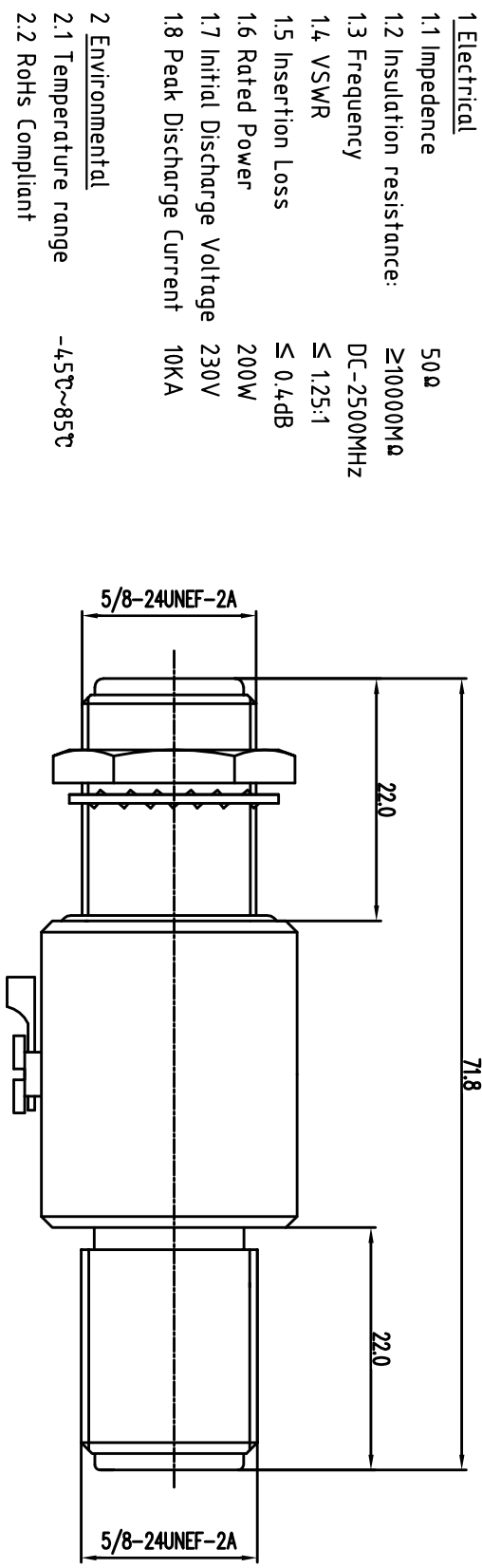


This document contains proprietary information and such information may not be disclosed to others for any purposes, not used for sales/marketing/procurement purposes without written permission

REV	DESCRIPTION OF REVISION	ECN NO.	BY	DATE	APPROVED
A	Initial Release		T.Holjyun	23/7/16	23/7/16



- 1 Electrical
 - 1.1 Impedence: 50Ω
 - 1.2 Insulation resistance: ≥10000MΩ
 - 1.3 Frequency: DC-2500MHZ
 - 1.4 VSWR: ≤ 1.25:1
 - 1.5 Insertion Loss: ≤ 0.4dB
 - 1.6 Rated Power: 200W
 - 1.7 Initial Discharge Voltage: 230V
 - 1.8 Peak Discharge Current: 10KA
- 2 Environmental
 - 2.1 Temperature range: -45℃~85℃
 - 2.2 RoHs Compliant
- 3 Materials&Finish
 - 3.1 Body: Brass, Nickel plated
 - 3.2 Insulator: Teflon
 - 3.3 Contact Pin: Bronze, gold plated
 - 3.4 Gasket: Silicon rubber (red color)

Notes:

- 1. ALL SPECIFICATIONS ARE SUBJECT TO CHANGE NOTICE AT ANY TIME
- 2. CUSTOMER OUTLINE DRAWING FOR REFERENCE ONLY

DRAWN: T.Holjyun 23/7/16 ENGINEER: C.Too 23/7/16 APPROVED: W.Qiang 23/7/16 <small>TOLERANCES UNLESS OTHERWISE SPECIFIED</small> X ±0.20 XX ±0.10 ANGLES 5°	TITLE: N-KKYB N Female to Female Bulkhead Surge Arrester PART NO: TRL-BLQ-347932B DIMENSION IN MILLIMETERS (mm) www.aerulial.com
SIZE: A4	SCALE: N/A
SHEET: 1/1	REV: A

