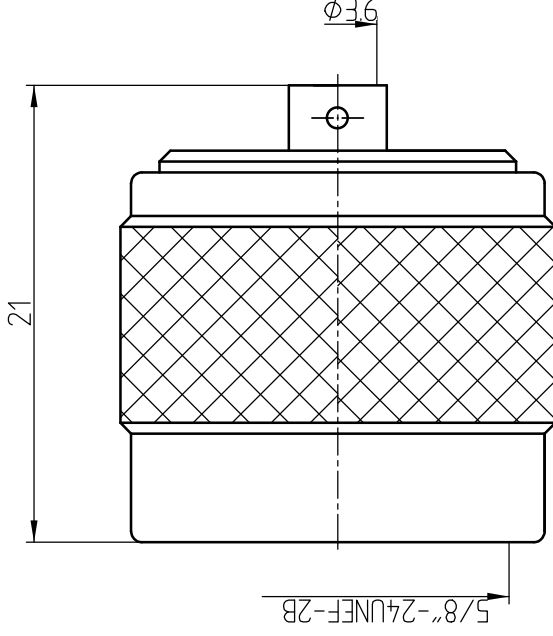


This document contains proprietary information and such information may not be disclosed to others for any purposes, not used for sales/marketing/procurement purposes without written permission

- 1 Electrical data
 - 1.1 Impedance: 50 Ω
 - 1.2 Frequency: DC-6GHz
 - 1.3 VSWR 1.25:1
- 2 Mechanical data
 - 2.1 Temperature range -45°C ~+125°C
 - 2.2 Durability(matings) >500
- 3 Material&Finish
 - 3.1 Contact: Brass, gold plated
 - 3.2 Body:Brass, nickel/gold plated
 - 3.3 Insulators: PTFE
 - 3.4 Coupling Nut : Brass, Nickel Plated



Notes:

1. ALL SPECIFICATIONS ARE SUBJECT TO CHANGE NOTICE AT ANY TIME
2. CUSTOMER OUTLINE DRAWING FOR REFERENCE ONLY

REV	DESCRIPTION OF REVISION	ECN NO.	BY	DATE	APPROVED
A	Initial Release		T. Shihua	18/02/14	18/02/14

DRAWN: T. Shihua 18/02/14		TITLE: RF Coaxial Connector	
ENGINEER: C. Tao 18/02/14		www.teruilai.com	
APPROVED: W. Qiang 18/02/14		N Male Straight Connector	
TOLERANCES UNLESS OTHERWISE SPECIFIED		For .141 Cable	
X	+0.50	SCALE: N/A	SHEET: 1/1
.X	+0.20	SIZE: A4	REV: A
.XX	+0.10	DIMENSION IN MILLIMETERS (mm)	
ANGLES	*°	PART NO: N-JB3T	

